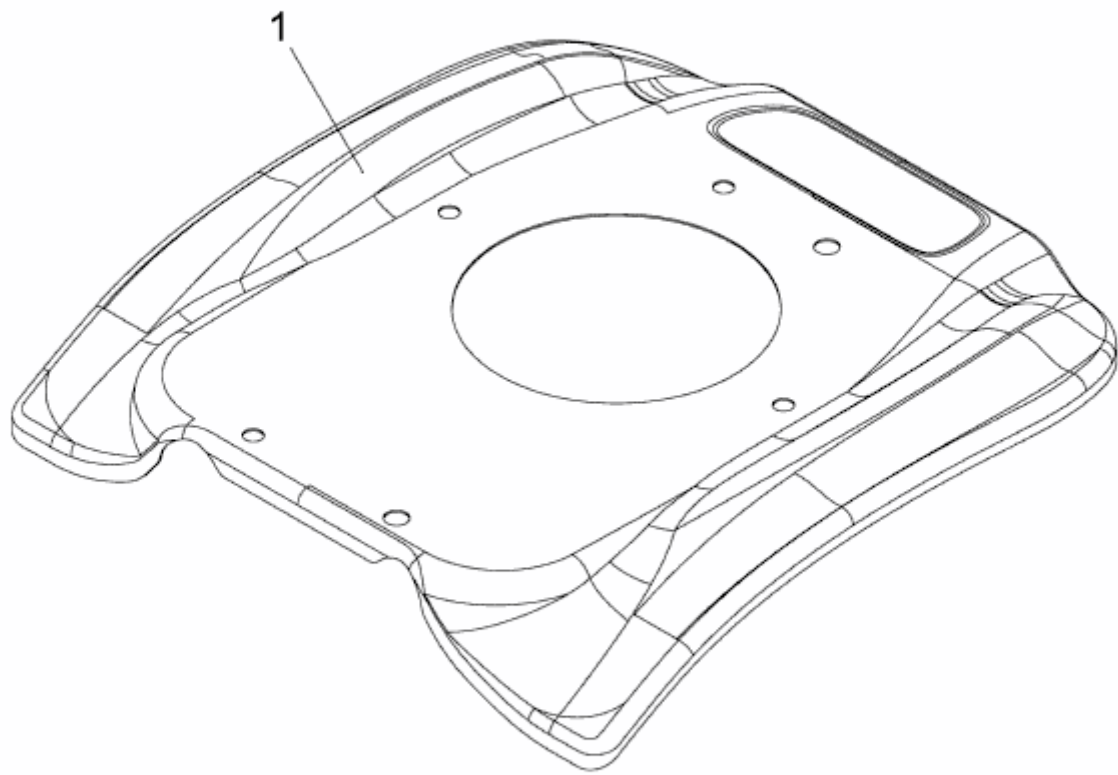


T/205 > 21D-20MI678 (2015) > SCHUTZSCHILD



E3-05200A-01