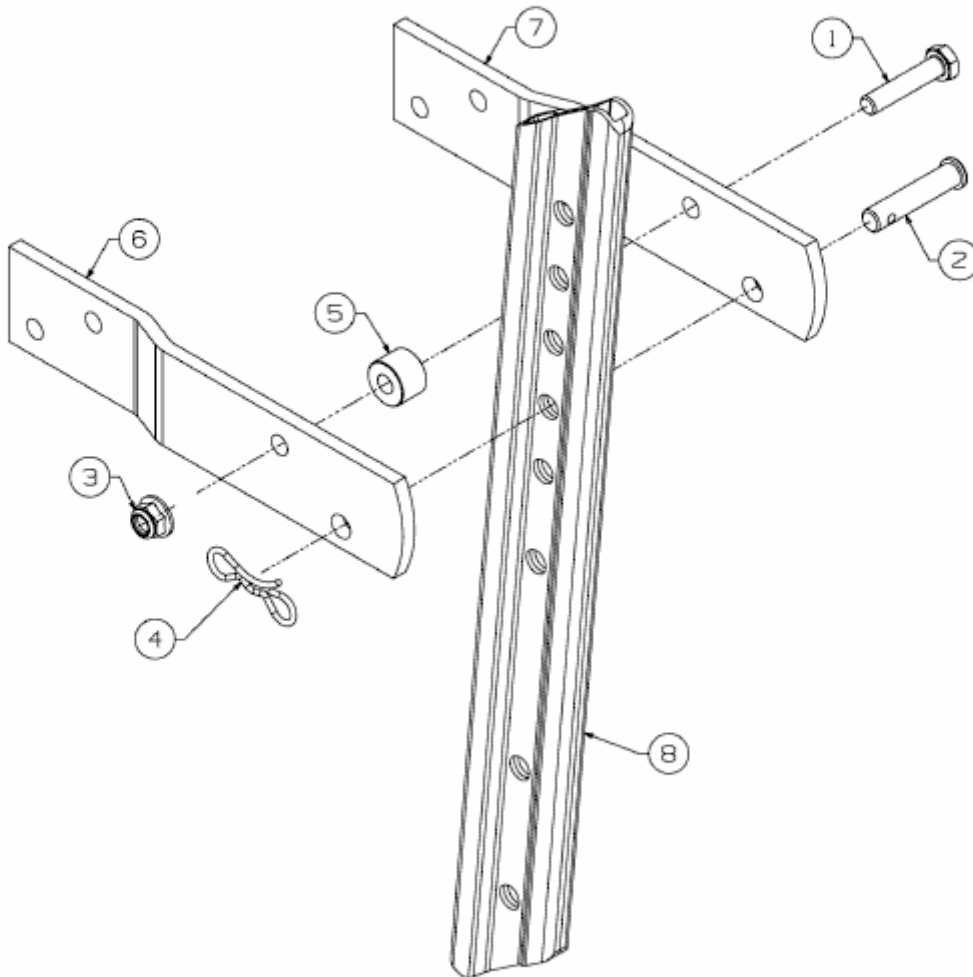


T/380 M > 21C-38MT678 (2010) > SPORN



E3-07070A-01