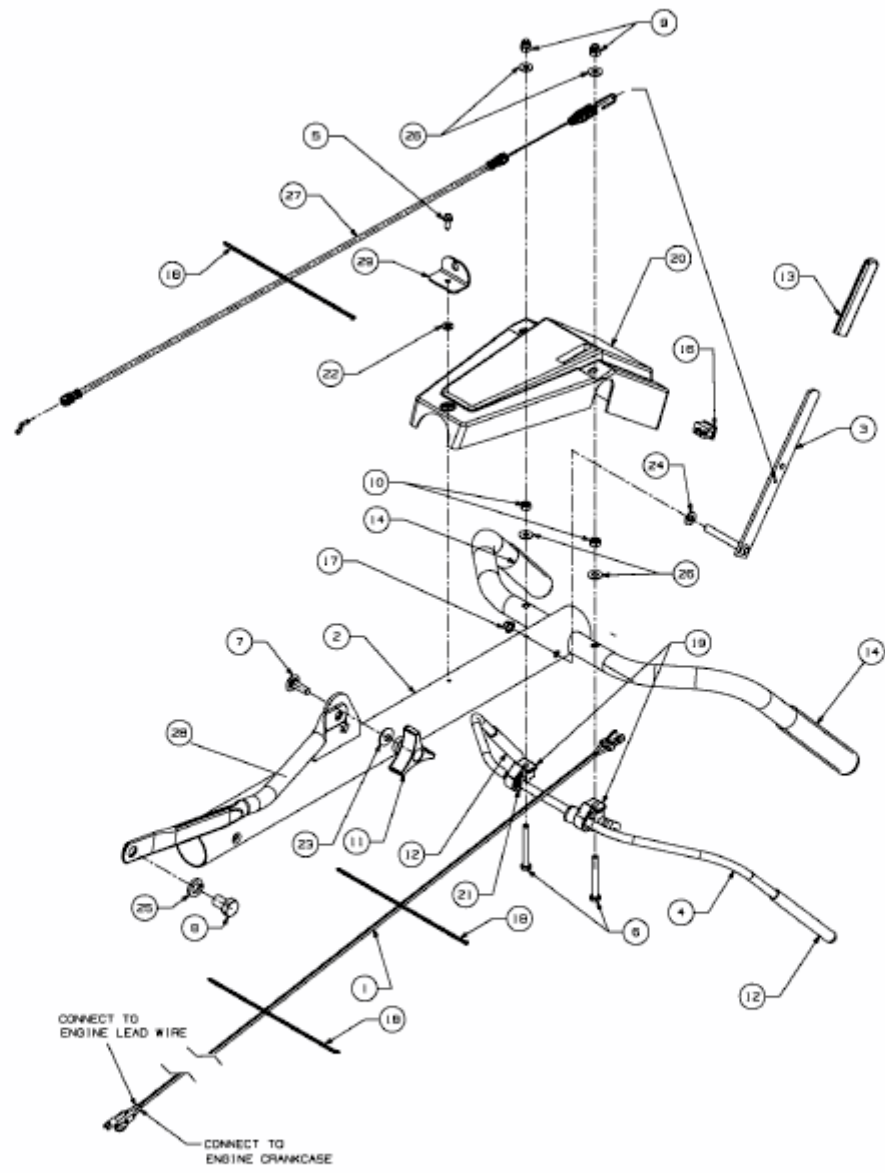


T/380 M > 21C-38MT678 (2010) > HOLM



E3-07083A-01