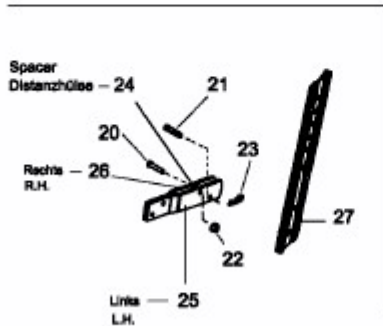
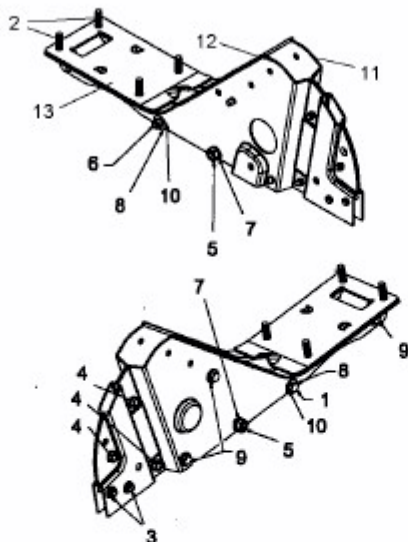


BL 5081 GT > 21C-385D684 (2010) > MOTOR, RAHMEN, SPORN

M 380 M , T/380 M , T/380  
 TBT 380  
 T/380 B  
 MX MH 81-55R ,MX MH 81-50R  
 BL 5081 GT



<b>B&amp;S - Motor , Engine B&amp;S</b>		Nicht abgebildet / Not shown
18	Berührungsschutz Auspuff / Muffler Guard	
19	Schraube (4x) / Screw (Qty. 4)	
17	B&S - Motor , Engine B&S	
T/380 TBT 380 MX MH 81-50R		
17A	B&S - Motor , Engine B&S	
for T/380 B ( 21C-382A602 ) for T/380 B (21C-382A602 ) only		
<b>HONDA-MOTOR/ ENGINE/MOTEUR</b>		Nicht abgebildet / Not shown
17B	HONDA - Motor , Engine HONDA	
BL 5081 GT ,21B-385A684		
17C	HONDA - Motor , Engine HONDA	
BL 5081 GT ,21B-385D684 BL 5081 GT ,21C-385D684		
17D	<b>MTD-Motor Engine MTD</b>	
M 380 M T/380 M MX MH 81-55R		
17E	<b>TEC-Motor Engine TEC</b>	
for T/380 B ( 21C-383A602 ) for T/380 B (21C-383A602 ) only		

E3-01990C-01