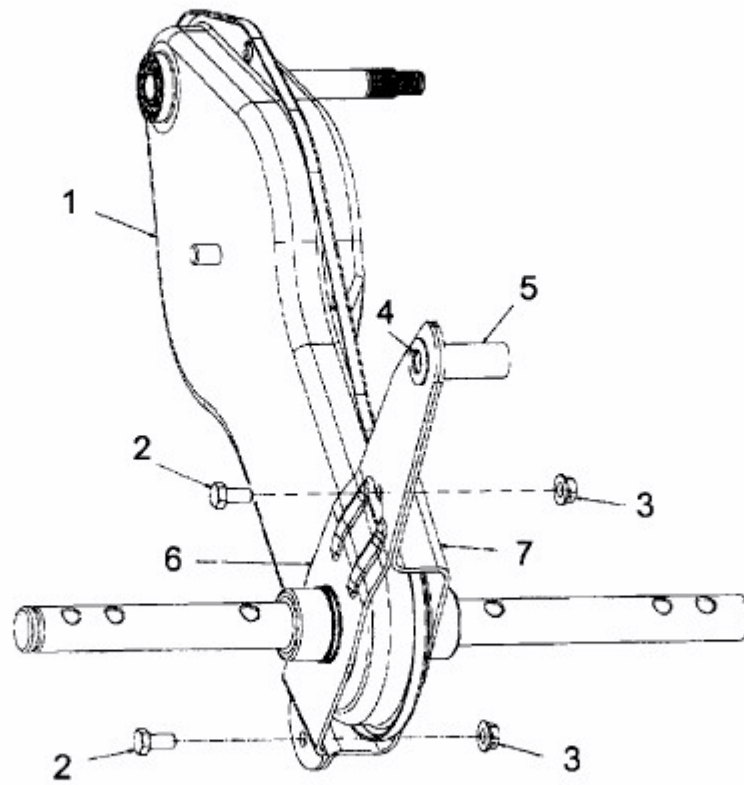


BL 5081 GT > 21C-385D684 (2009) > KETTENKASTEN



E3-03397A-01