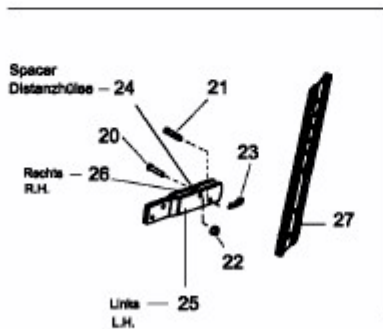
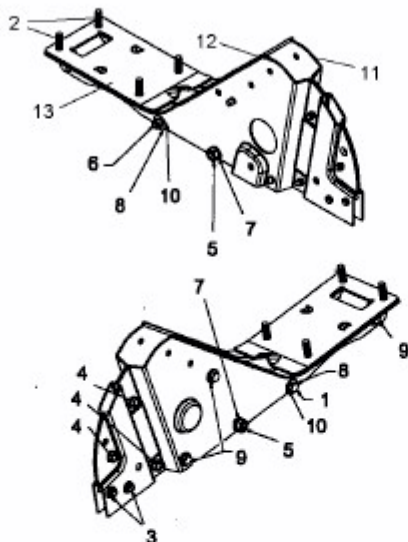


BL 5081 GT > 21C-385D684 (2008) > MOTOR, RAHMEN, SPORN

M 380 M , T/380 M , T/380  
 TBT 380  
 T/380 B  
 MX MH 81-55R ,MX MH 81-50R  
 BL 5081 GT



**B&S - Motor , Engine B&S** Nicht abgebildet / Not shown

18 — Berührungsschutz Auspuff / Muffler Guard

19 — Schraube (4x) / Screw (Qty. 4)

17 — B&S - Motor , Engine B&S

16 (1x)  
 15 (2x)  
 14 (1x)

T/380  
 TBT 380  
 MX MH 81-50R

17A — B&S - Motor , Engine B&S  
 for T/380 B ( 21C-382A602 )  
 for T/380 B (21C-382A602 ) only

**HONDA-MOTOR/ ENGINE/MOTEUR** Nicht abgebildet / Not shown

17B HONDA - Motor , Engine HONDA

BL 5081 GT ,21B-385A684

30  
 29

17C HONDA - Motor , Engine HONDA

BL 5081 GT ,21B-385D684  
 BL 5081 GT ,21C-385D684

28

17D **MTD-Motor Engine MTD**

16  
 15  
 14

M 380 M  
 T/380 M  
 MX MH 81-55R

17E **TEC-Motor Engine TEC**

for T/380 B ( 21C-383A602 )  
 for T/380 B (21C-383A602 ) only

E3-01990C-01