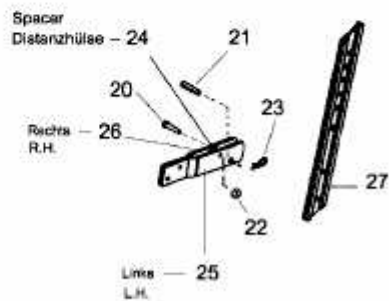
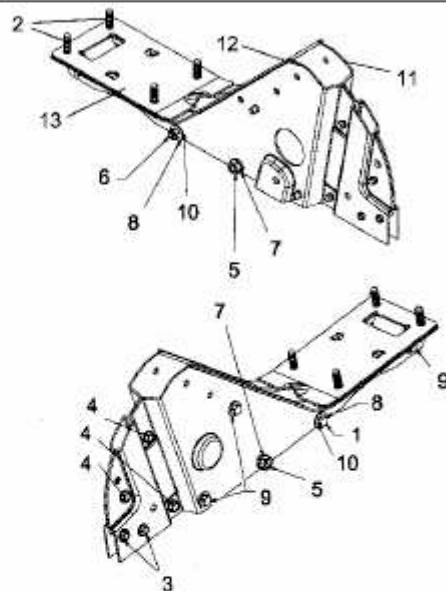


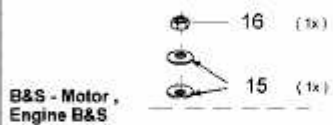
T 380/50 > 21C-382A602 (2007) > MOTOR, RAHMEN, SPORN

T/380
TBT 380
T/380 B
MX MH 81-50R
BL 5081 GT



Nicht abgebildet /
Not shown

- | | | |
|----|--|-------------------------------------|
| 19 | Schraube (4x)
Screw (Qty. 4) | |
| 18 | Berührungsschutz Auspuff/
Muffler Guard | |
| 17 | B&S - Motor,
Engine B&S | 17A für T/380 B
for T/380 B only |



- | | |
|----------------------------------|---------|
| T/380
TBT 380
MX MH 81-50R | 14 (1x) |
|----------------------------------|---------|

HONDA-MOTOR/
ENGINE/MOTEUR

Nicht abgebildet /
Not shown

- | | |
|--------------------------------|----|
| 17B | 30 |
| HONDA - Motor,
Engine HONDA | 29 |
| BL 5081 GT ,21B-385A684 | 28 |
| 17C | |
| HONDA - Motor,
Engine HONDA | |
| BL 5081 GT ,21C-385D684 | |
| BL 5081 GT ,21B-385D684 | |

E3-01990B-01