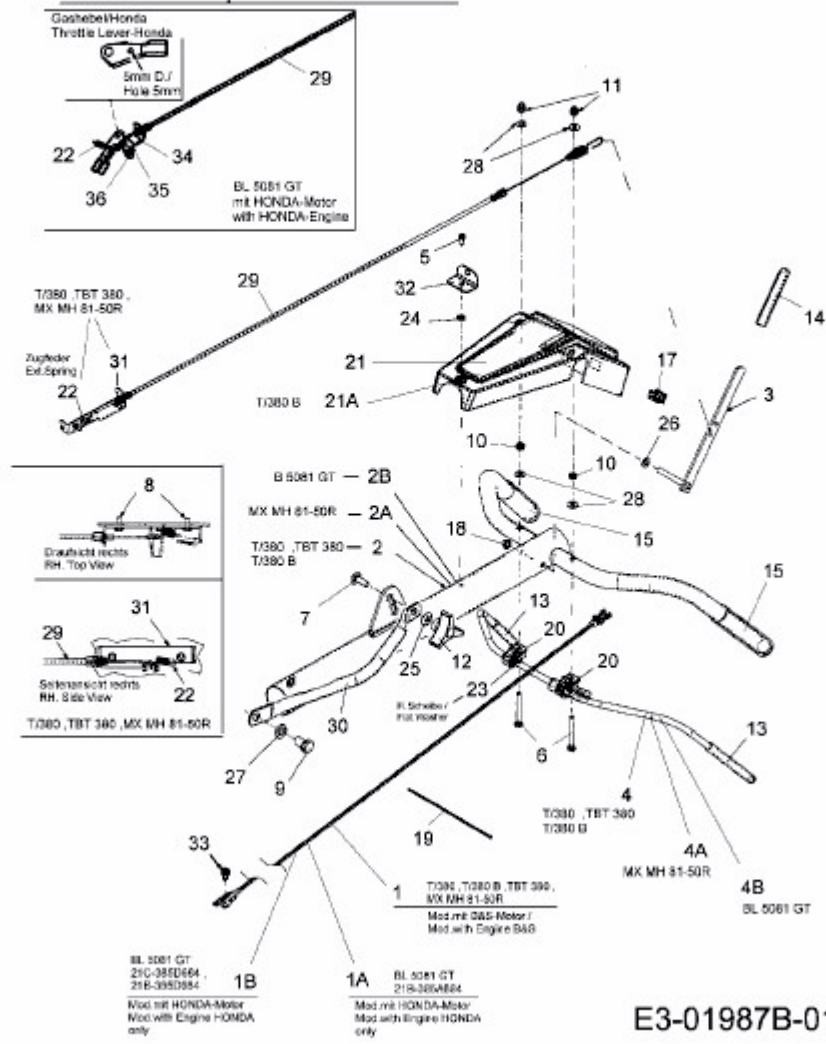


BL 5081 GT > 21B-385A684 (2006) > HOLM

| | |
|--------------|---------------------------|
| T/380 | 21B-382A678 , 21C-382A678 |
| T/380 | 21B-383A602 , 21B-382A604 |
| T/380 B | 21C-382A602 |
| TBT 380 | 21B-382A609 |
| MX MH 81-50R | 21B-382A887 |
| BL 5081 GT | 21C-385D684 , 21B-385A684 |



E3-01987B-01