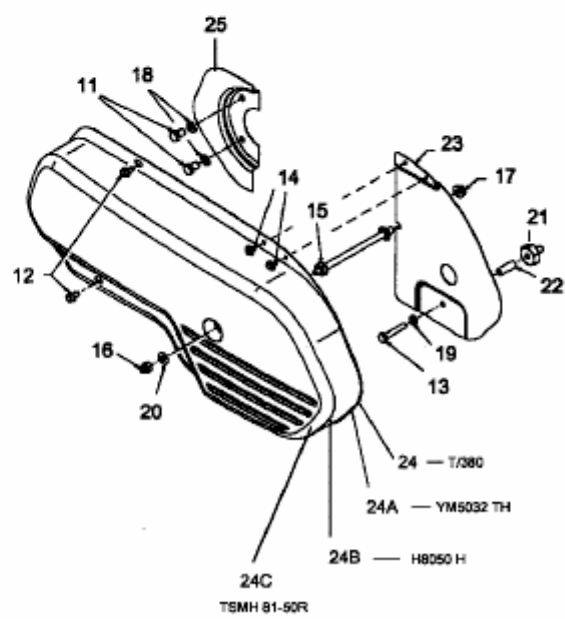
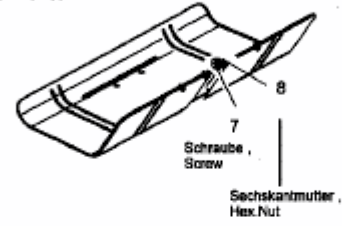
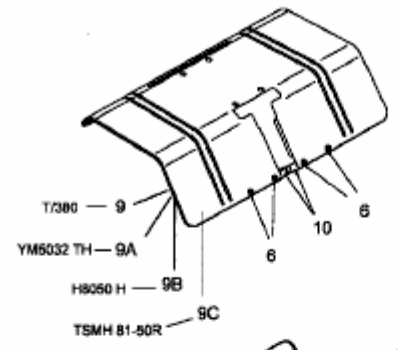
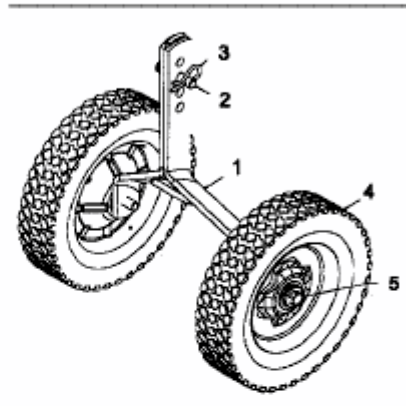


T 380/50 > 21A-382A678 (2005) > KEILRIEMENSCHUTZ, RÄDER, SCHUTZBLECH HACKWERK

- T/380 — 21A-382A678
- YM 5032 TH — 21A-385A643
- H 8050 H — 21A-385A690
- TS MH 81-50R — 21B-382A687



E3-01989A