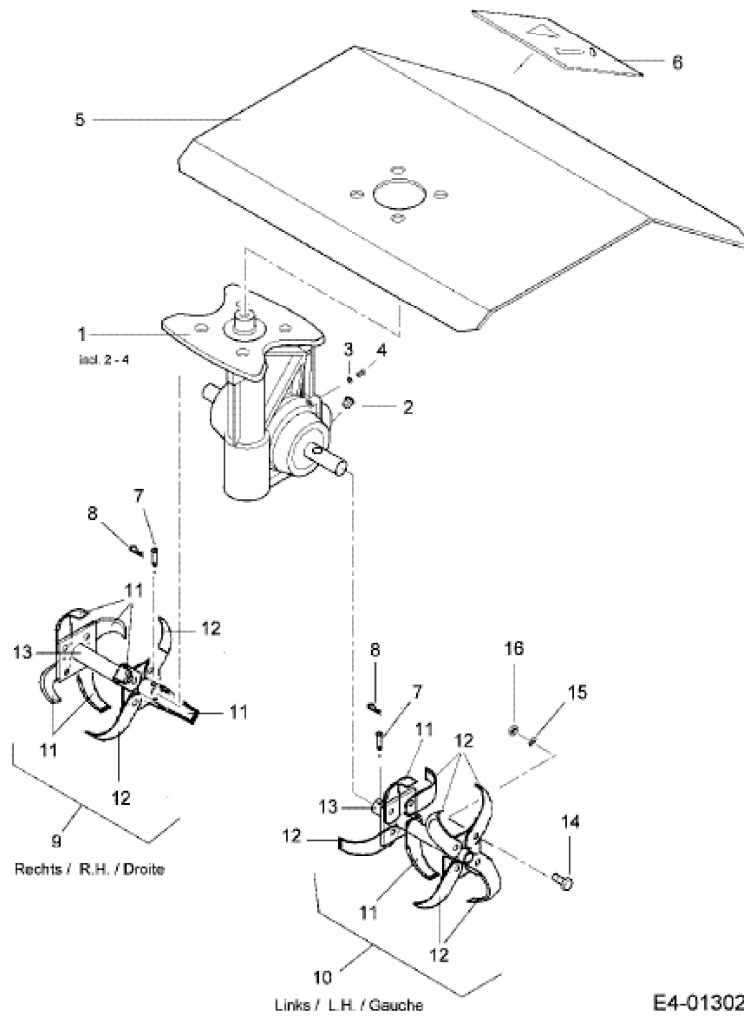


T 200	21A-204J678
MH 40-40	21A-204J667
MH 40-40	21A-204M667



E4-01302A