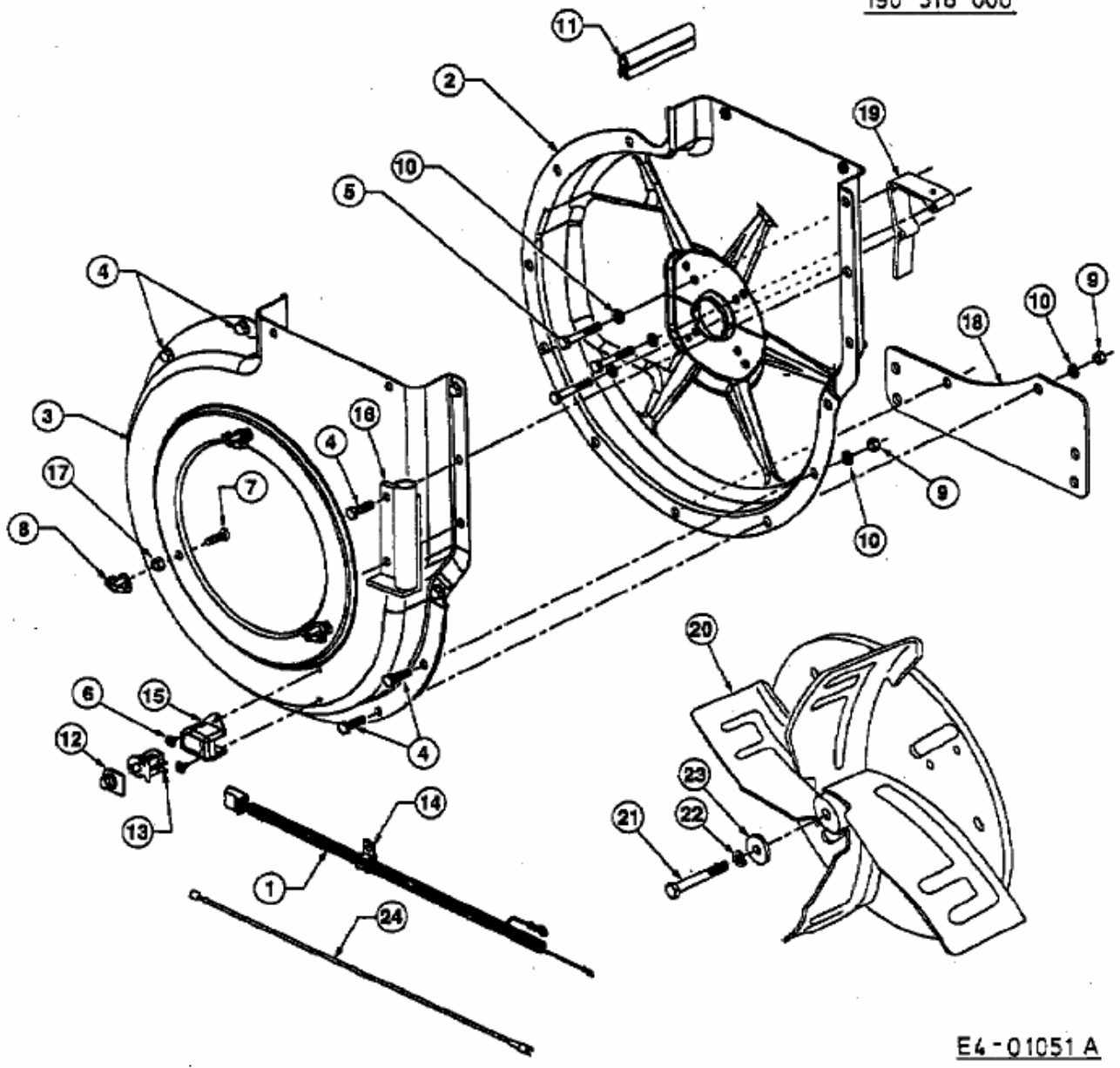


REPAIR PARTS FOR MODEL 501885 MOW-N-VAC IMPELLER HOUSING ASSEMBLY

190-518-000



E4-01051 A