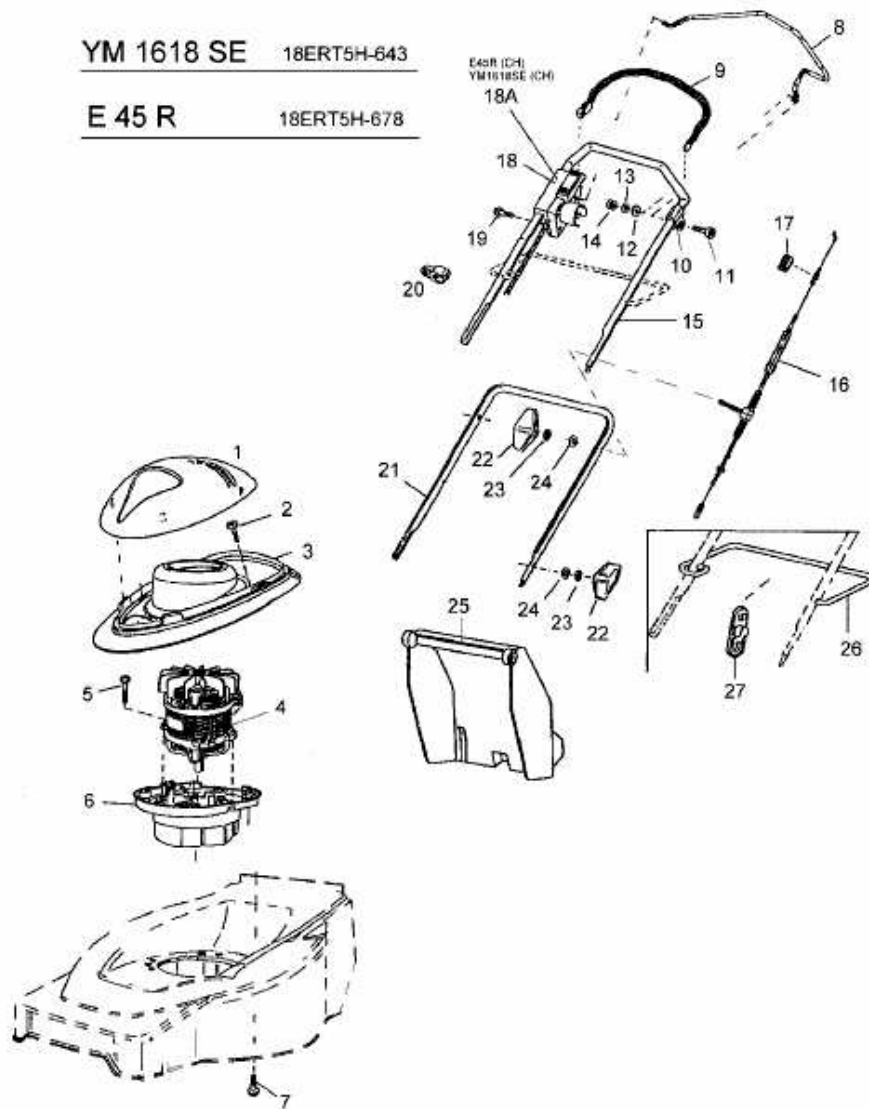


YM 1618 SE > 18ERT5H-643 (2006) > ELEKTROMOTOR, HECKKLAPPE, HOLM

YM 1618 SE 18ERT5H-643

E 45 R 18ERT5H-678



E3-02664A-01