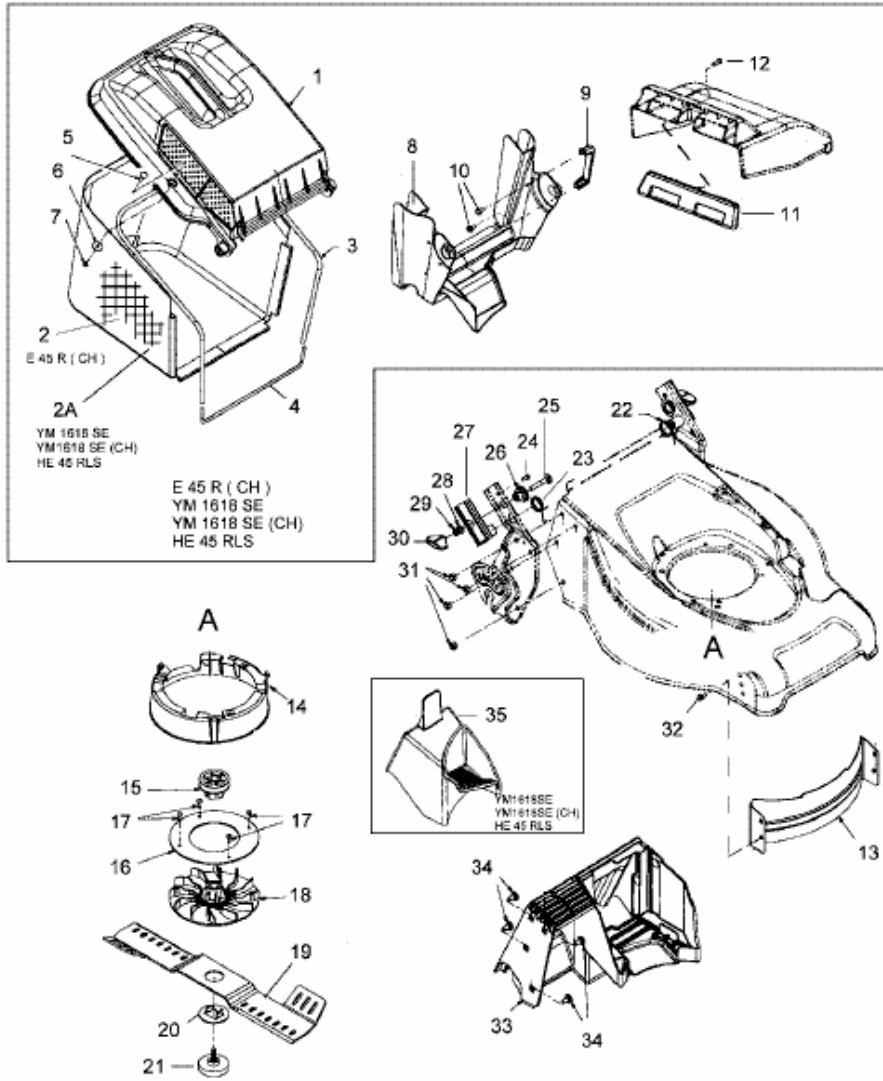


YM 1618 SE > 18DRT5H-643 (2005) > GRASFANGSACK, MESSER, MULCHSTOPFEN

| | |
|-------------|-------------|
| E 45 R | 18DRT5H-678 |
| E 45 R (CH) | 18DRT5H-664 |
| HE 45 RLS | 18DRT5H-690 |

| | |
|-----------------|-------------|
| YM 1618 SE | 18DRT5H-643 |
| YM 1618 SE (CH) | 18DRT5H-C43 |



E3-01895B