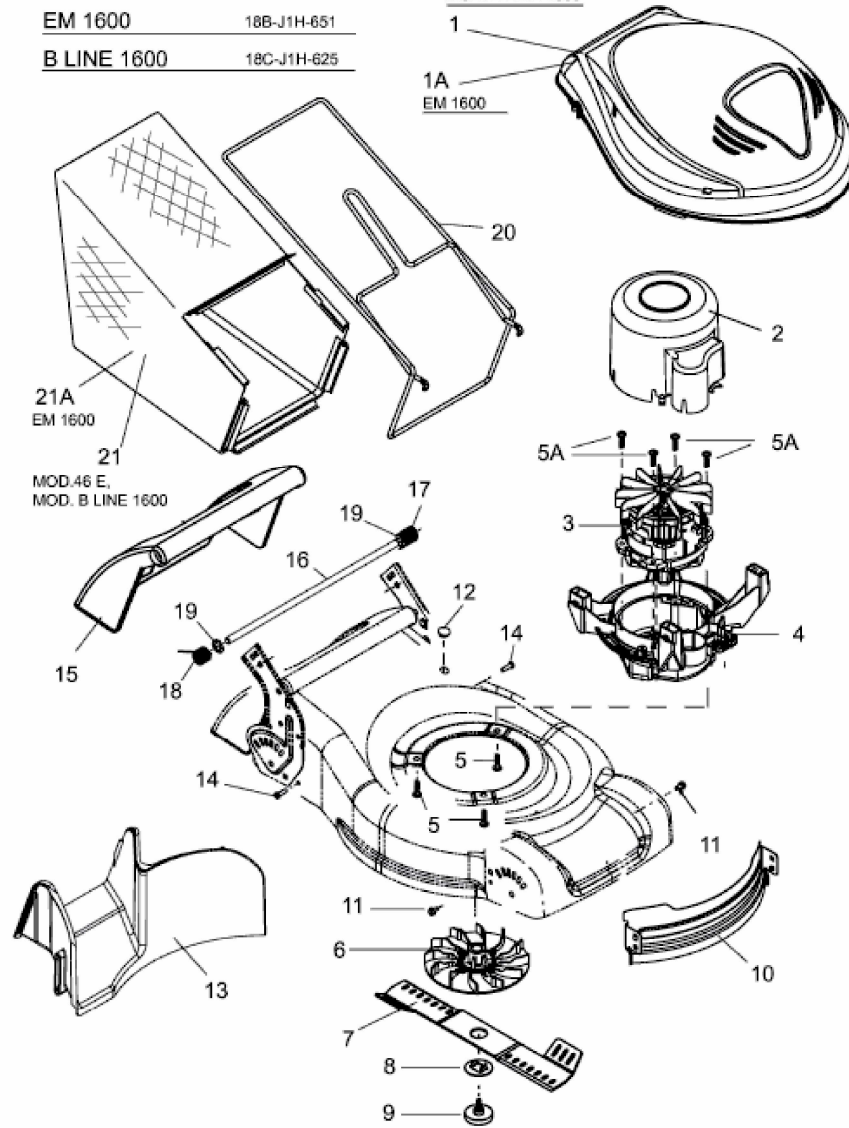


EM 1600 > 18D-U1D-651 (2010) > ELEKTROMOTOR, GRASFANGSACK, MESSER

<b>46 E</b>	18B-J1H-600
<b>EM 1600</b>	18B-J1H-651
<b>B LINE 1600</b>	18C-J1H-625

MOD.46 E,  
MOD. B LINE 1600



E3-05308A-01