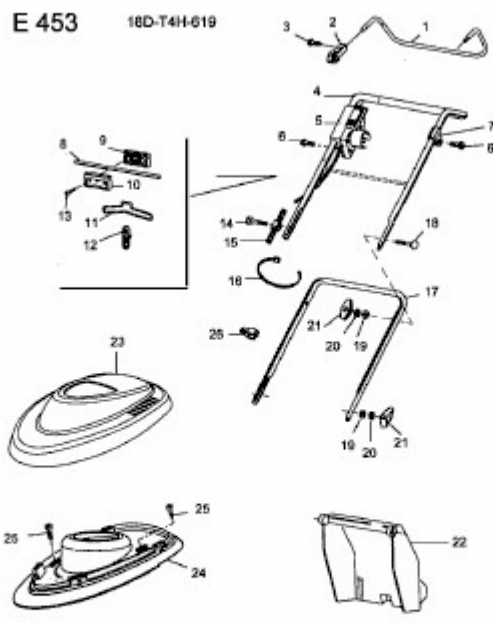


E 453 > 18D-T4H-619 (2005) > HOLM



E3-01890B