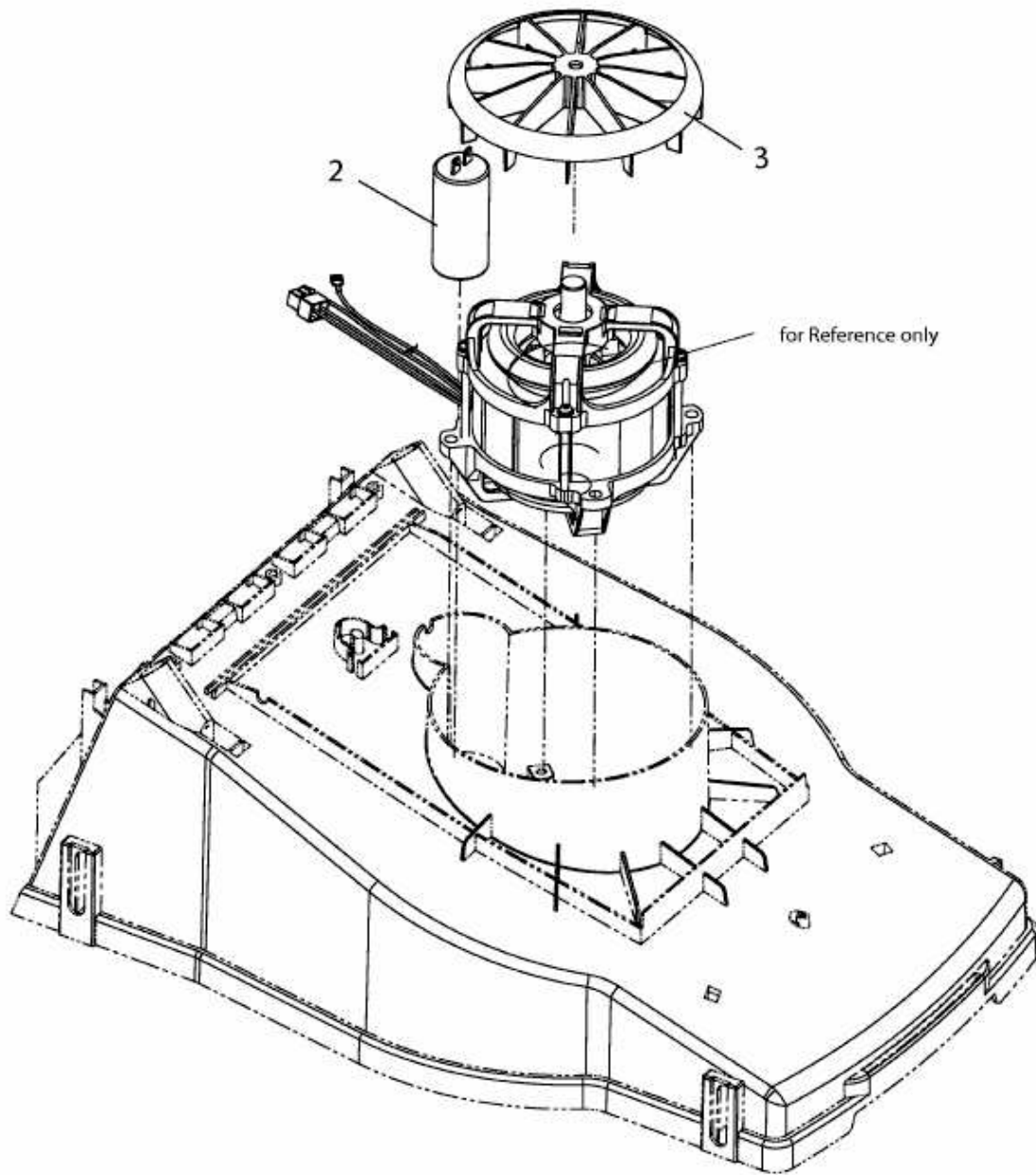


OPTI 3813 > 18D-S0F-600 (2010) > ELEKTROMOTOR



E3-05285A-01