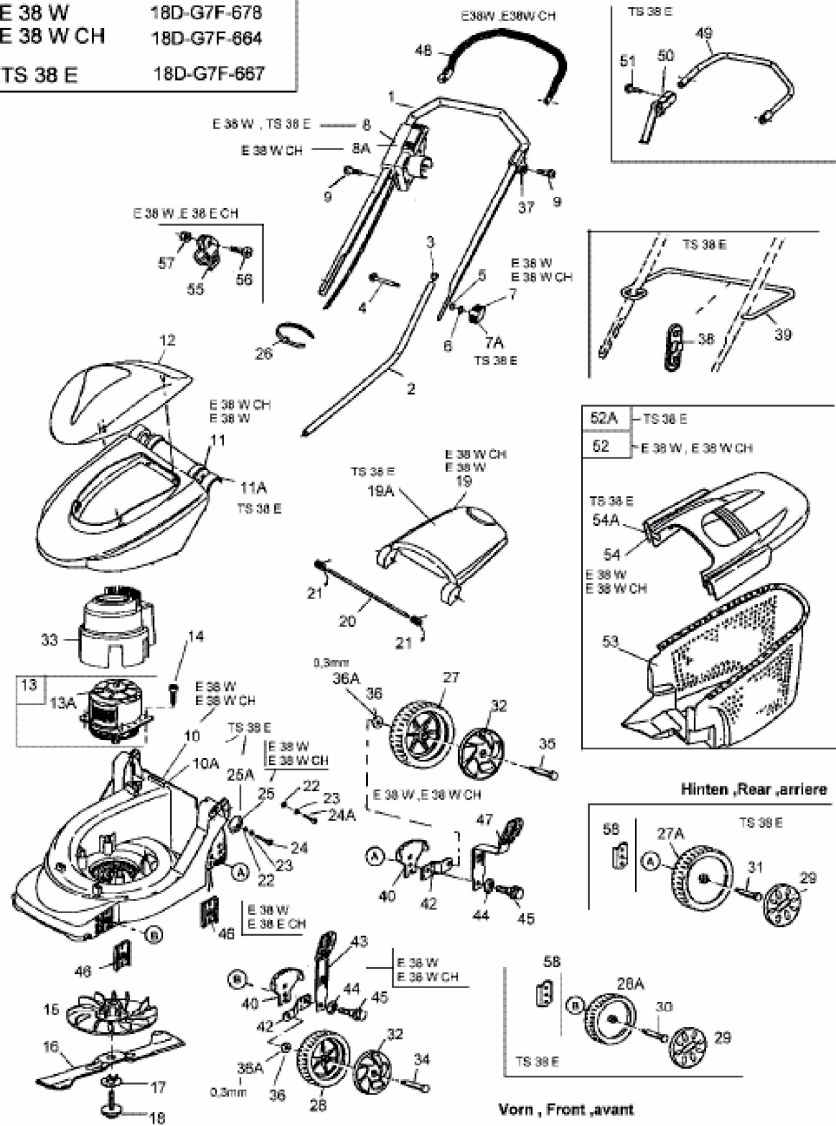


TS 38 E > 18D-G7F-667 (2004) > GRUNDGERÄT

E 38 W	18D-G7F-678
E 38 W CH	18D-G7F-664
TS 38 E	18D-G7F-667



E3-01479D