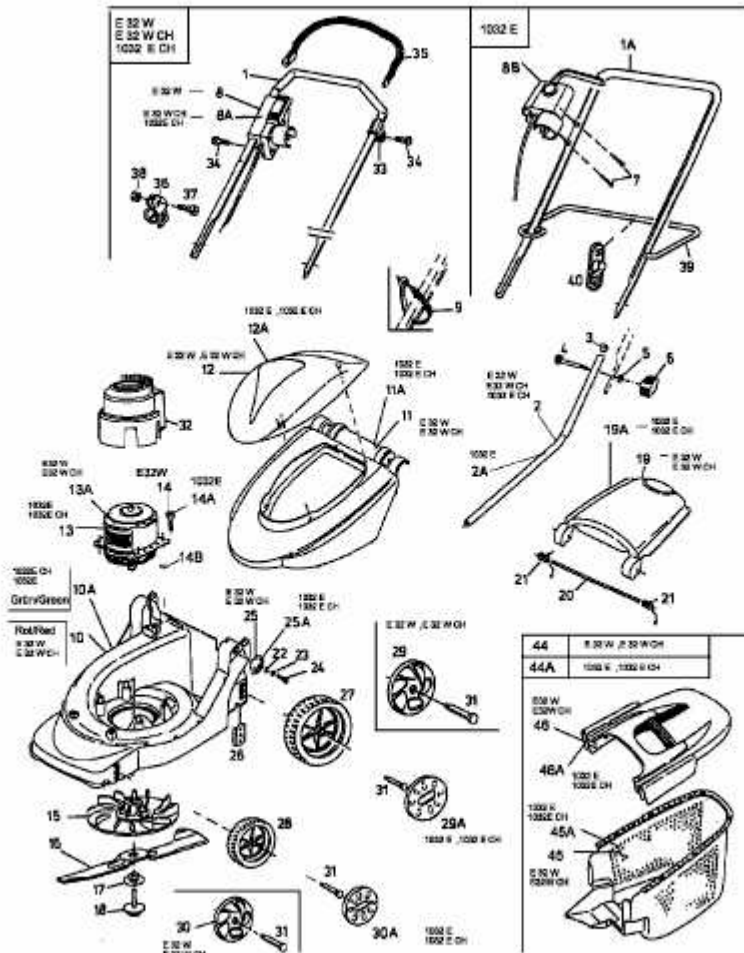


E 32 W - E 32 W CH - 1032 E - 1032 E CH
 18D-C2D-678 - 18D-C2D-664 - 18F-C3D-666 - 18F-C3D-664



E3-01551D