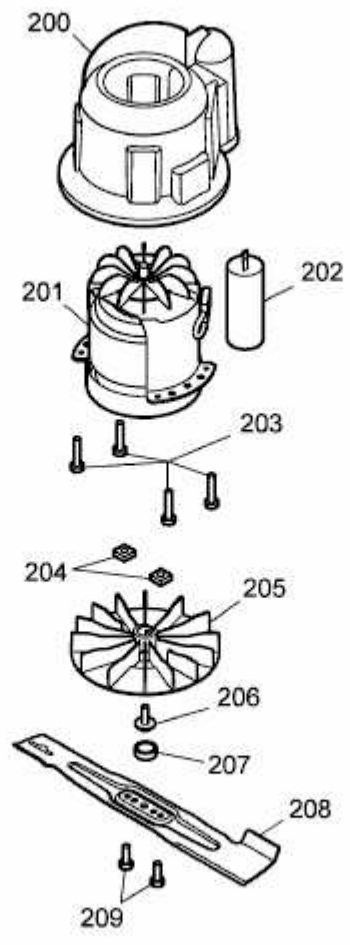


EXPERT 34 E > 18CWF1S-C50 (2015) > MESSER, MOTOR



E3-08788A-01