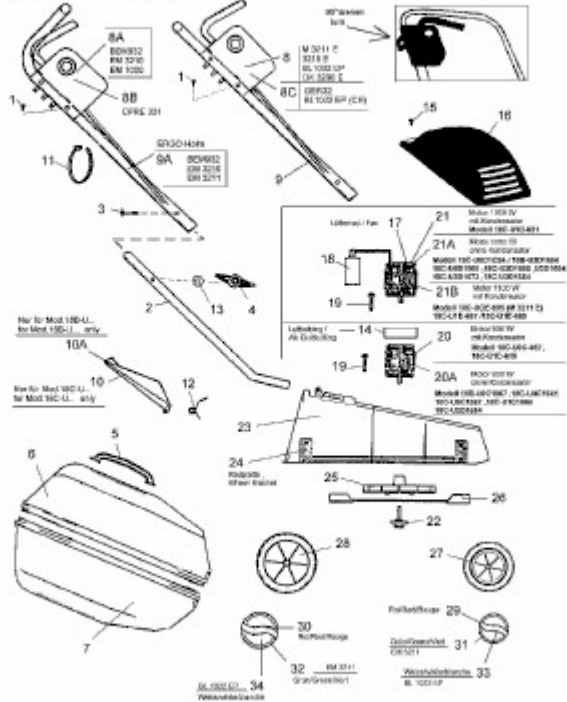


# EM 3211 > 18C-U1E-687 (2007) > GRUNDGERÄT

3218 E	18C-U3D1600	18C-U3D1600	CPRE 321	18C-U3C1641	EM 3211	18C-U1E-689
3219 E	18C-U3D1604	18C-U3D1604	EM 1600	18C-U1D-651	GAMMA EM 3211	18C-U1E-687
3219 E	18C-U1D1073	18C-U1D1073	GER 32	18C-U1C-930		
BL 1422 EP	18C-U3D1604	18C-U3D1604	OK 3288 E	18C-U1C-1001	M 3211 E	18C-U3E-405
BL 1832 EP	18C-U3D1604	18C-U3D1604	OK 3288 E	18C-U3C-667		
BL 1832 EP (CH)	18C-U3D1604	18C-U3D1604	OK 3288 E	18C-U3C-667		
BLM 832	18C-U1C-616	18C-U1C-616		18C-U3C-1997		



E3-03373A-01