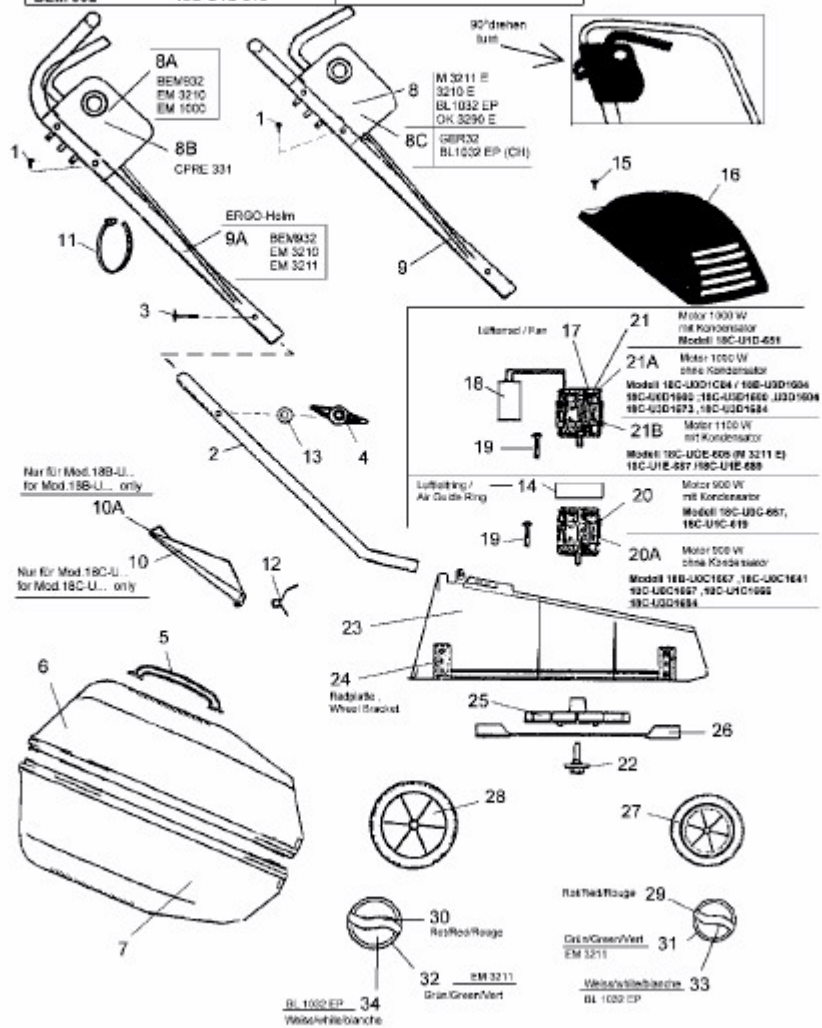


BL 1032 EP > 18C-U0D1C84 (2007) > GRUNDGERÄT

3210 E	18C-U0D1800 , 18C-U3D1800	CPRE 331	18C-U0C1641	EM 3211	18C-U1E-689
3210 E	18C-U3D1804	EM 1000	18C-U1D-651	GAMMA EM 3211	
3210 E	18C-U3D1873	GER 32	18C-U1C1855	18C-U1E-687	
BL 1032 EP	18B-U3D1884	OK 3290 E	18B-U0C1867	M 3211 E	
BL 1032 EP	18C-U3D1884	OK 3290 E	18C-U0C-667	18C-U0E-605	
BL 1032 EP (CH)	18C-U0D1C84	OK 3290 E	18C-U0C1857		
BEM 932	18C-U1C-619				



E3-03373A-01