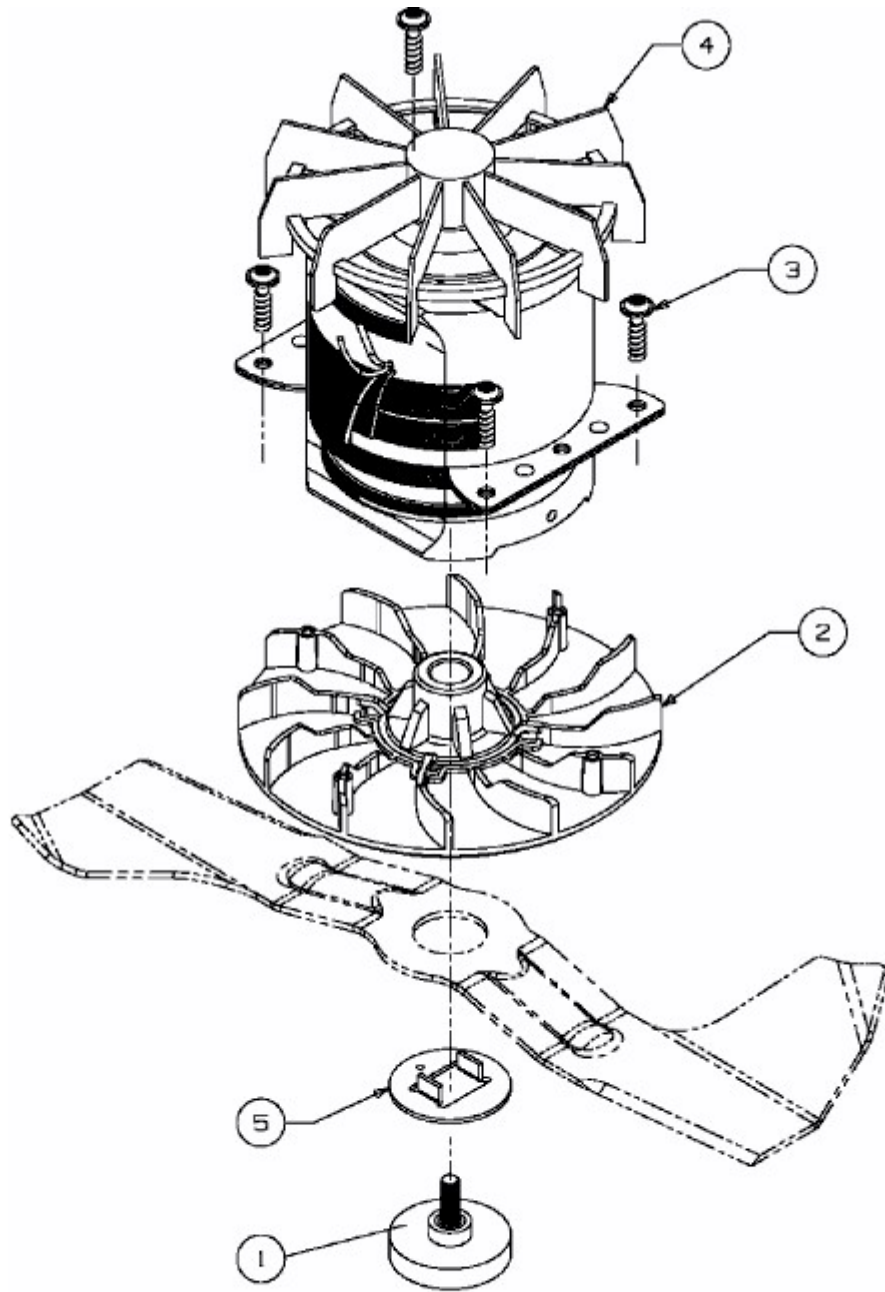


GER 400 > 18C-N4S-666 (2007) > ELEKTROMOTOR, MESSER



E3-03268A-01