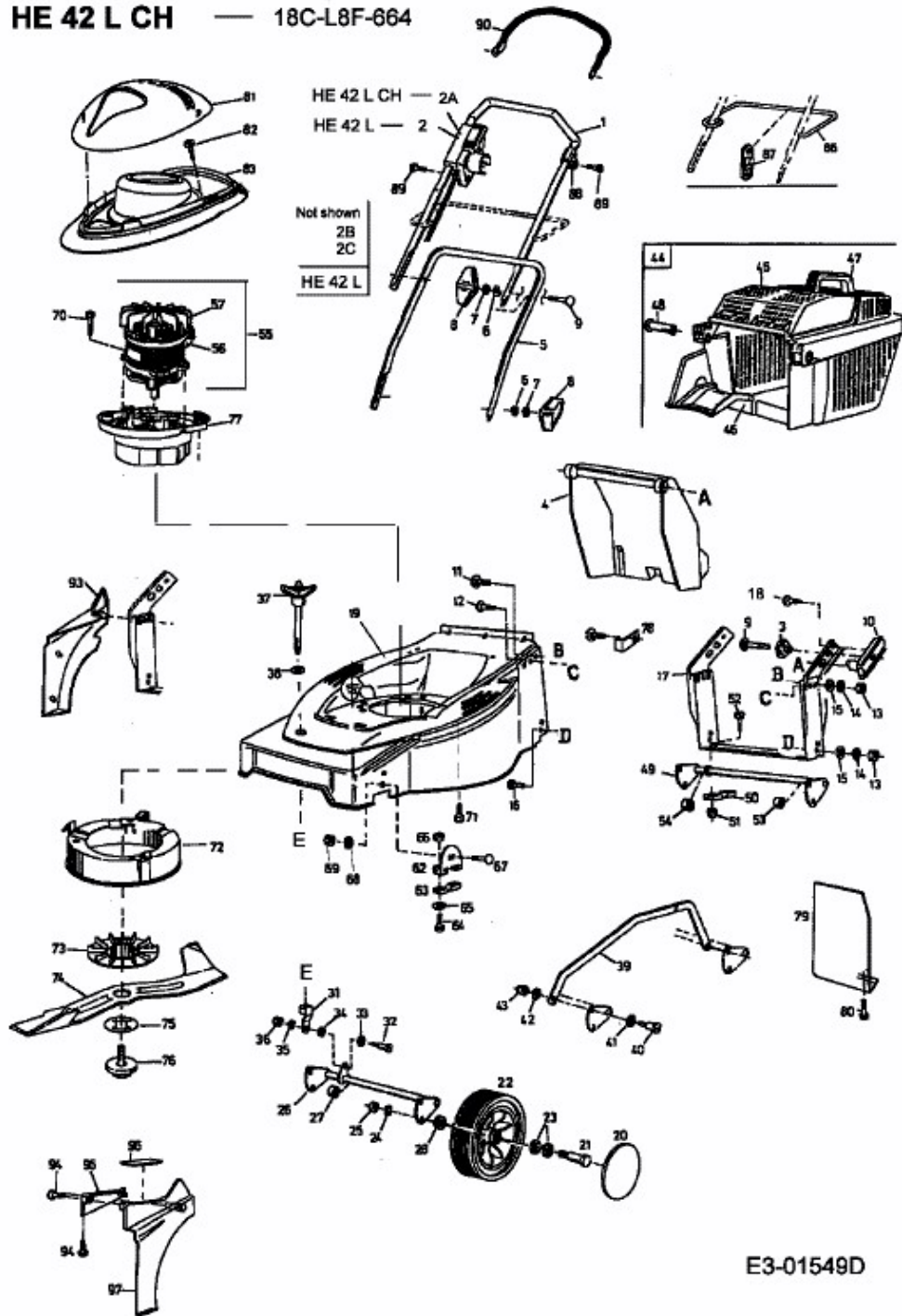


HE 42 L > 18C-L8F-690 (2004) > GRUNDGERÄT

HE 42 L — 18C-L8F-690  
 HE 42 L CH — 18C-L8F-664



E3-01549D