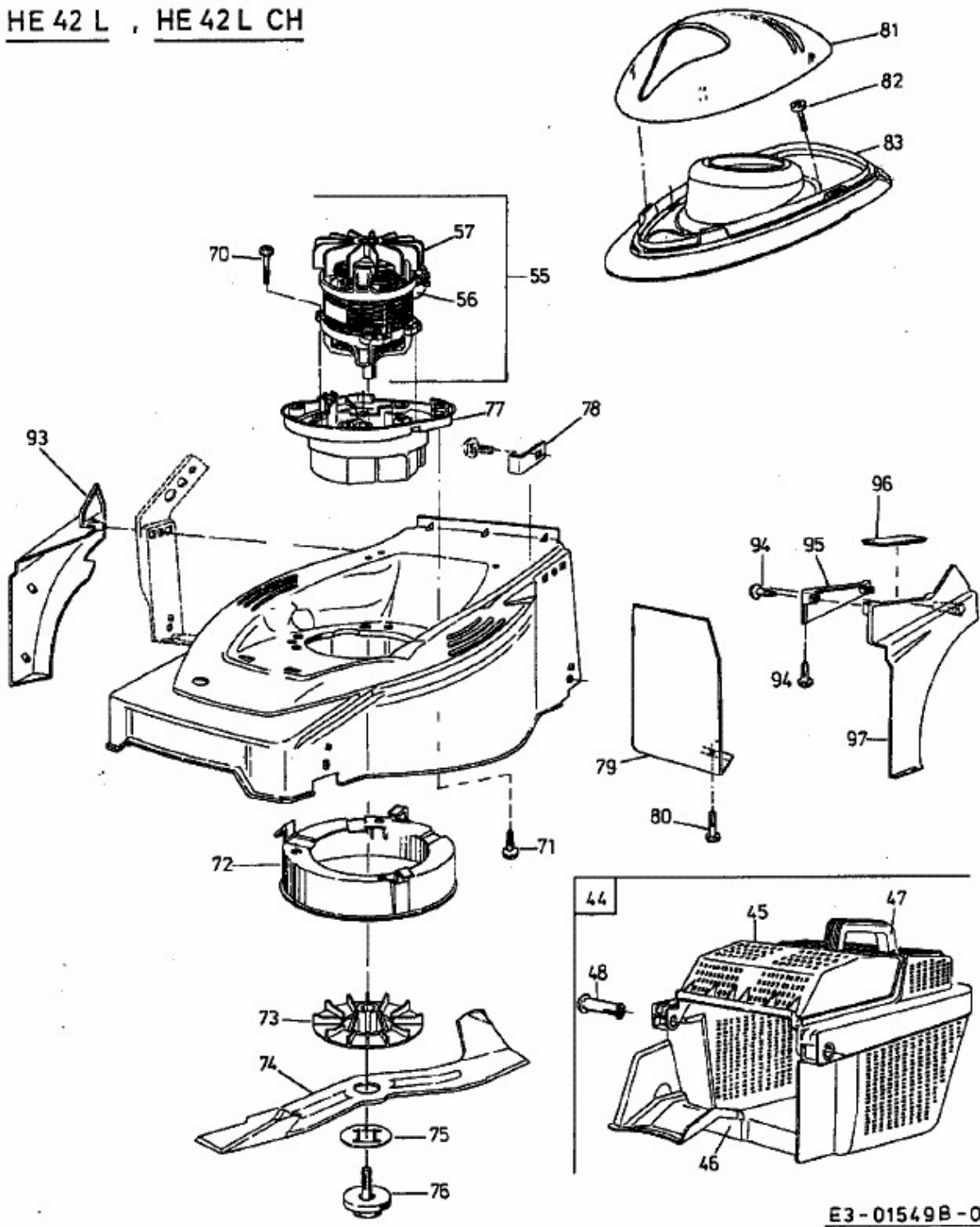


HE 42 L > 18C-L8F-690 (2002) > ELEKTROMOTOR, GRASFANGKORB, MESSER

HE 42 L , HE 42 L CH



E3-01549B-01