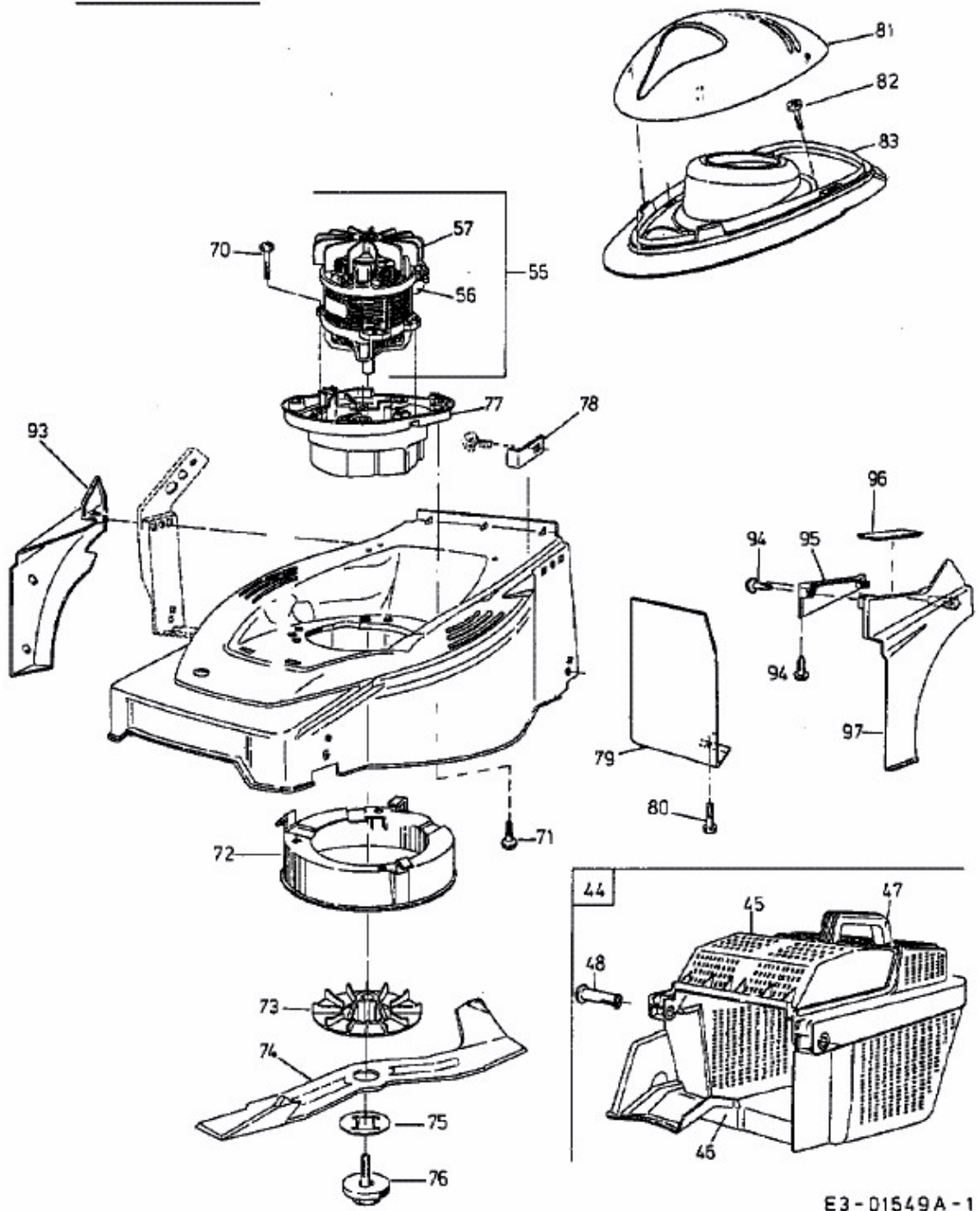


HE 42 L > 18C-L8F-690 (2001) > ELEKTROMOTOR, GRASFANGKORB, MESSER

**Model HE 42 L**  
**18C-L8F-690**



**E3-01549A-1**