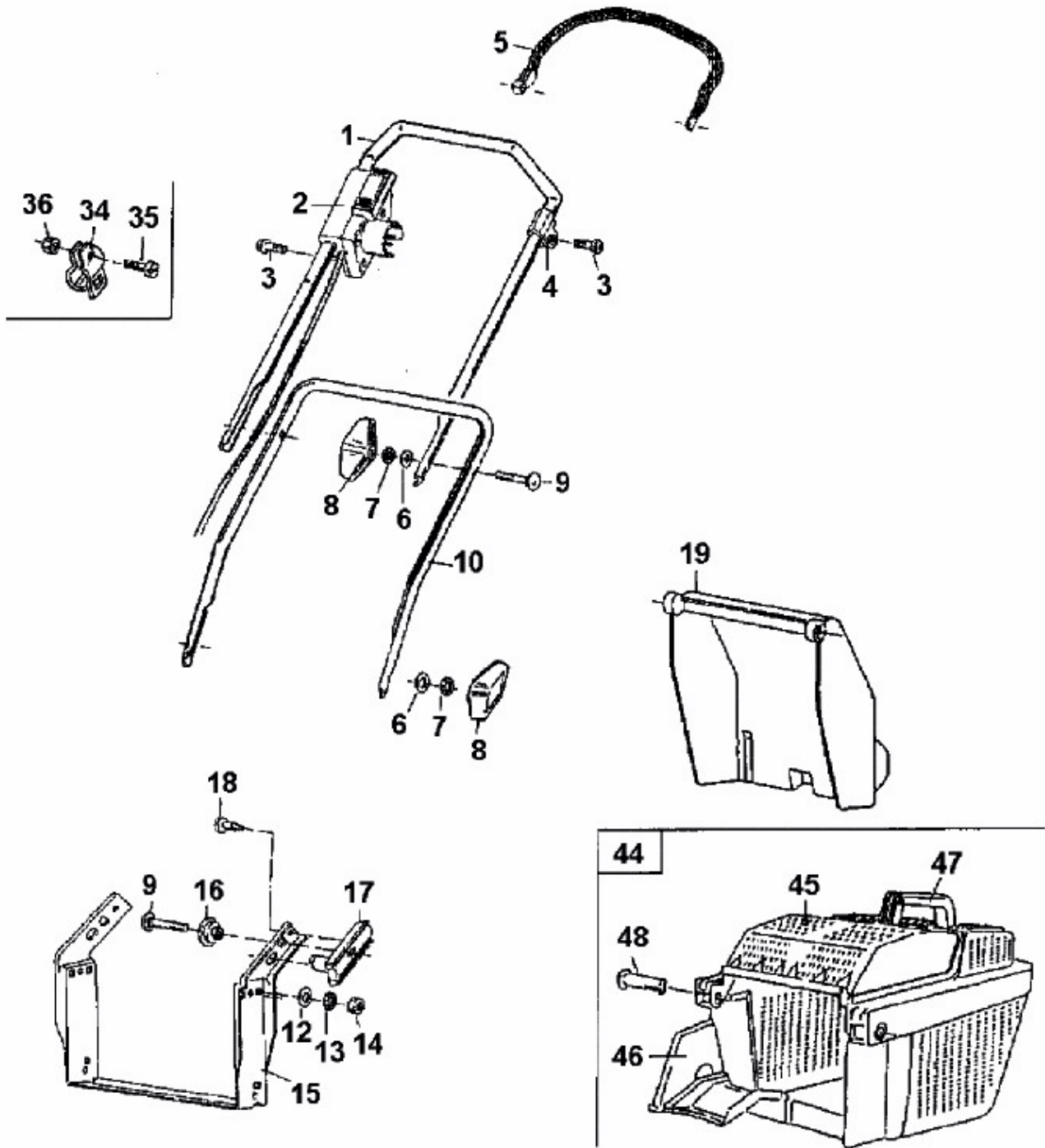


HE 42 > 18C-L2F-604 (2000) > GRASFANGKORB, HECKKLAPPE, HOLM



fsg