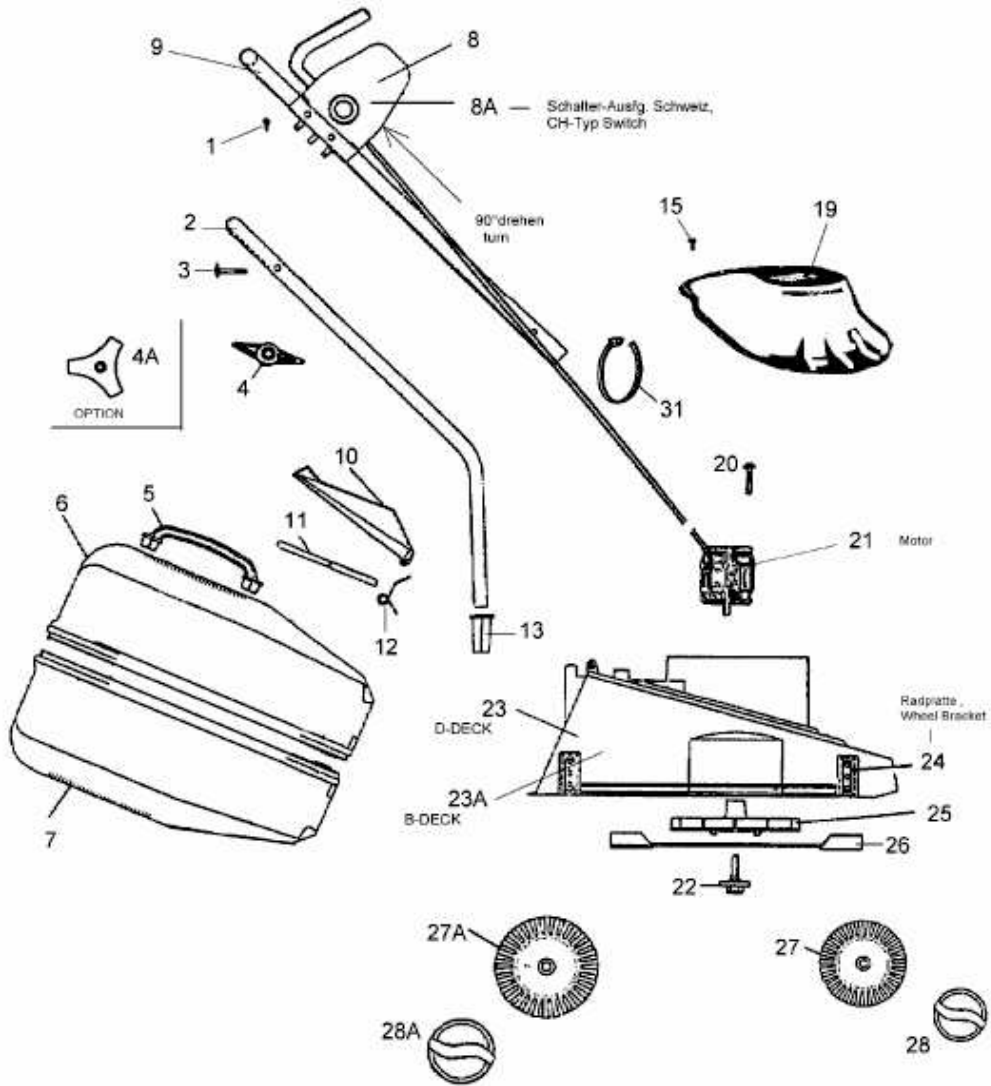


JUNIOR 31 > 18C-D0D2600 (2008) > GRUNDGERÄT

JUNIOR 31	18C-D0D2600
BG 1000	18C-D0D2625
BG 1000	18C-D0D-625
FF 317	18C-D0D-665

MZ/X 32	18C-B0D-665
BRONTO 1000W	18C-B0D-R02
FF 307-1	18C-B0D-634
FF 307-1	18CKB0C2634



E3-03950A-01