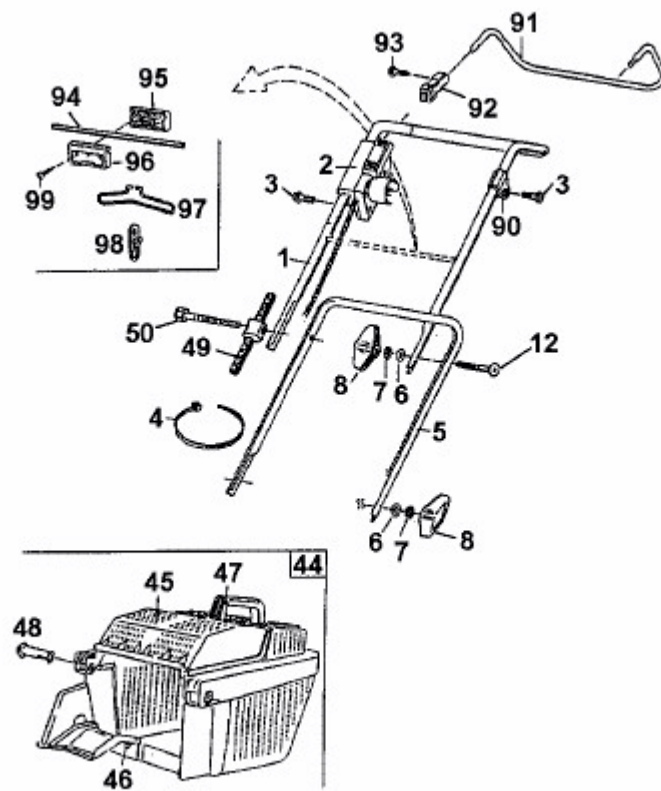


E 451 > 18B-T2H-619 (1999) > GRASFANGKORB, HOLM



fsg