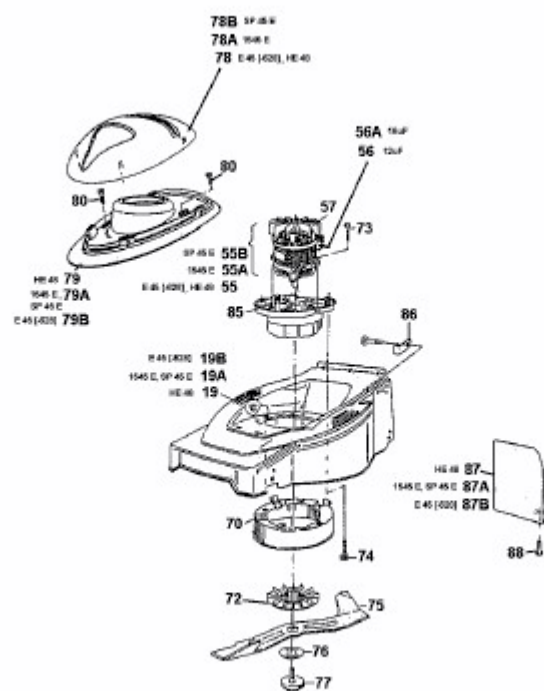


1545 E > 18B-T1G-668 (1999) > ELEKTROMOTOR, MESSER



fig