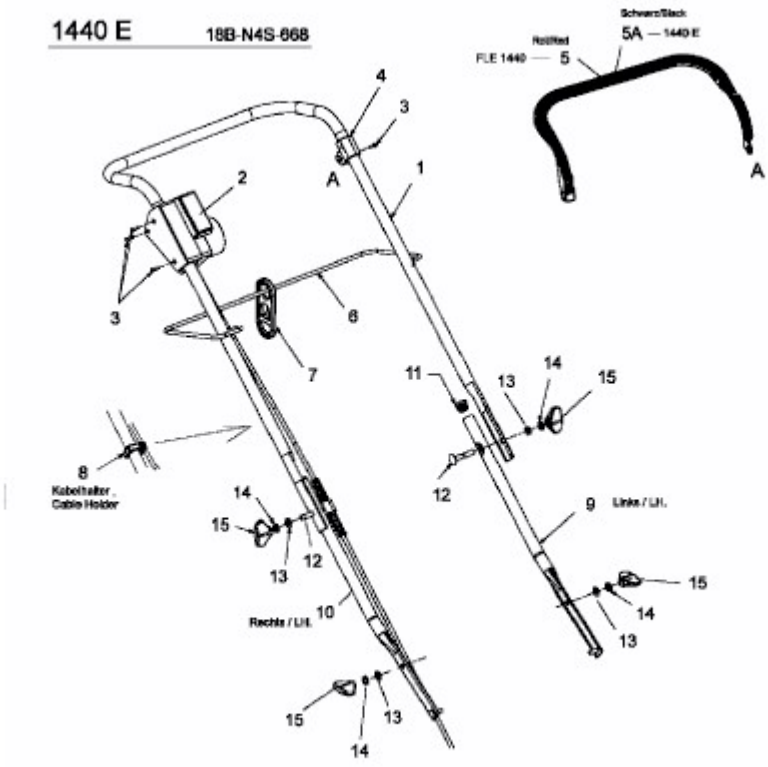


FLE 1440 > 18B-N4S-619 (2006) > HOLM

**FLE 1440** 18B-N4S-619

**1440 E** 18B-N4S-668



E3-02623A-01