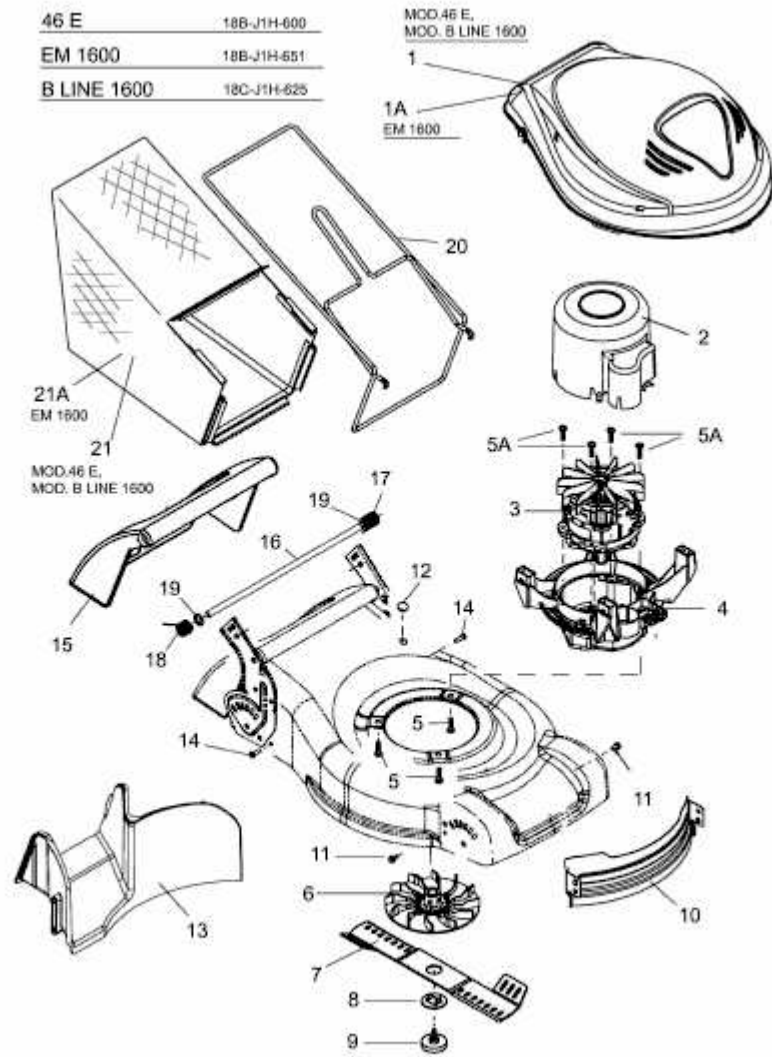


46 E > 18B-J1H-600 (2010) > ELEKTROMOTOR, GRASFANGSACK, MESSER



E3-05308A-01