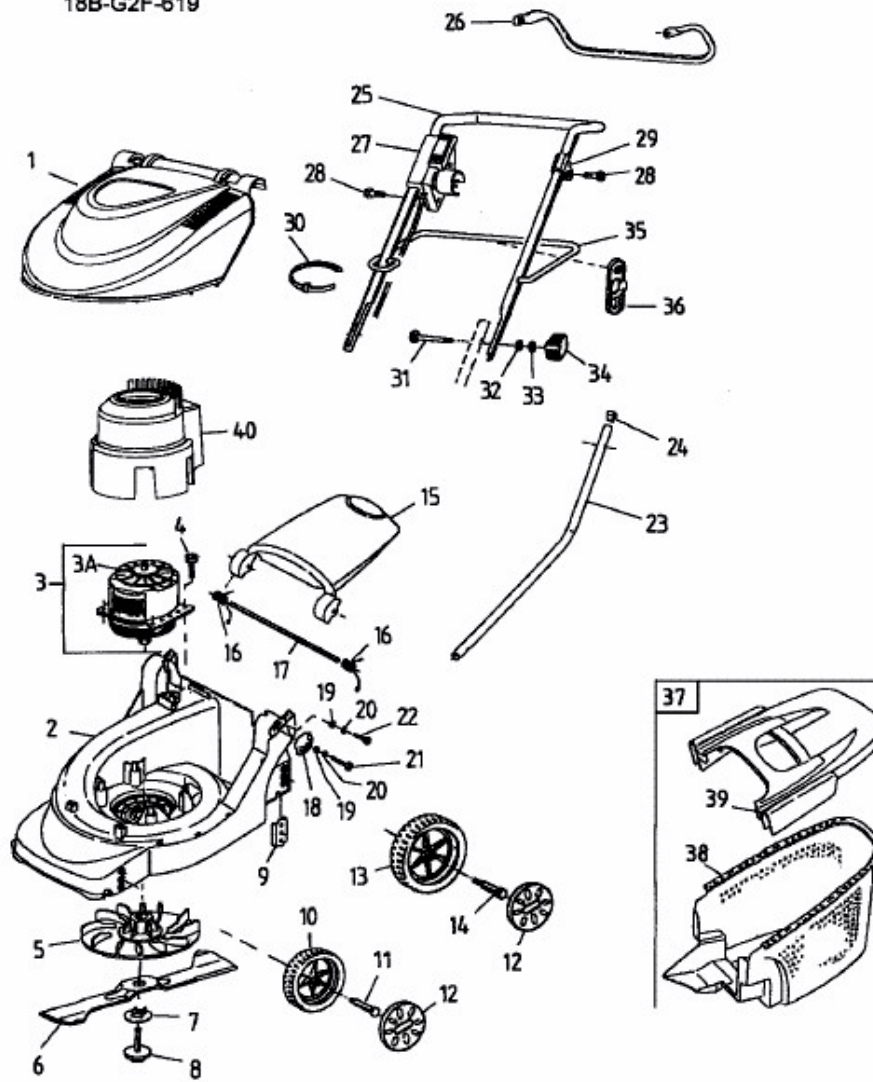


**Model E 381**

18B-G2F-619



E3-01470A