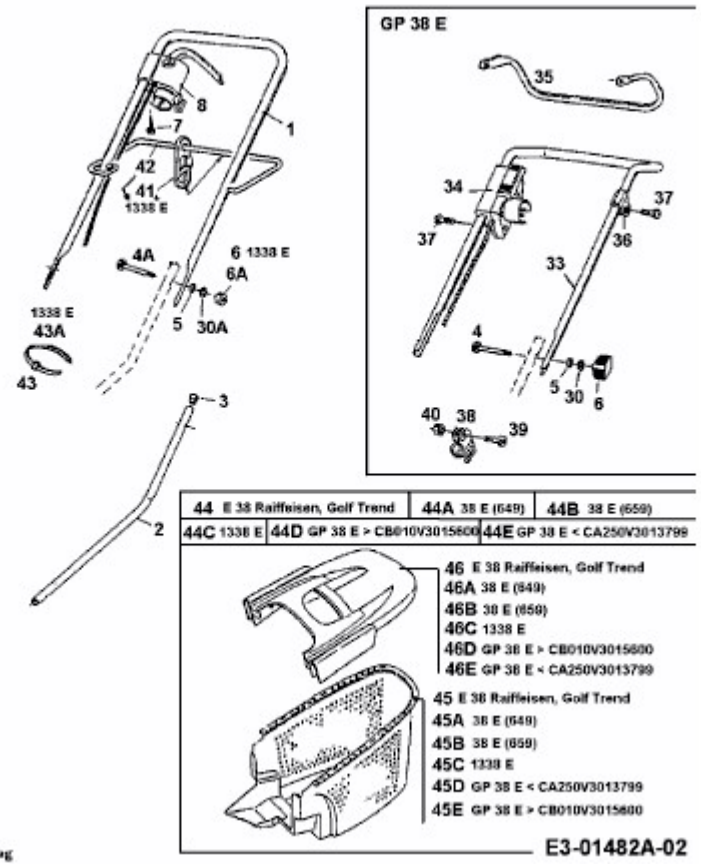


1338 E > 18B-G0F-668 (2000) > GRASFANGKORB, HOLM



fig

E3-01482A-02