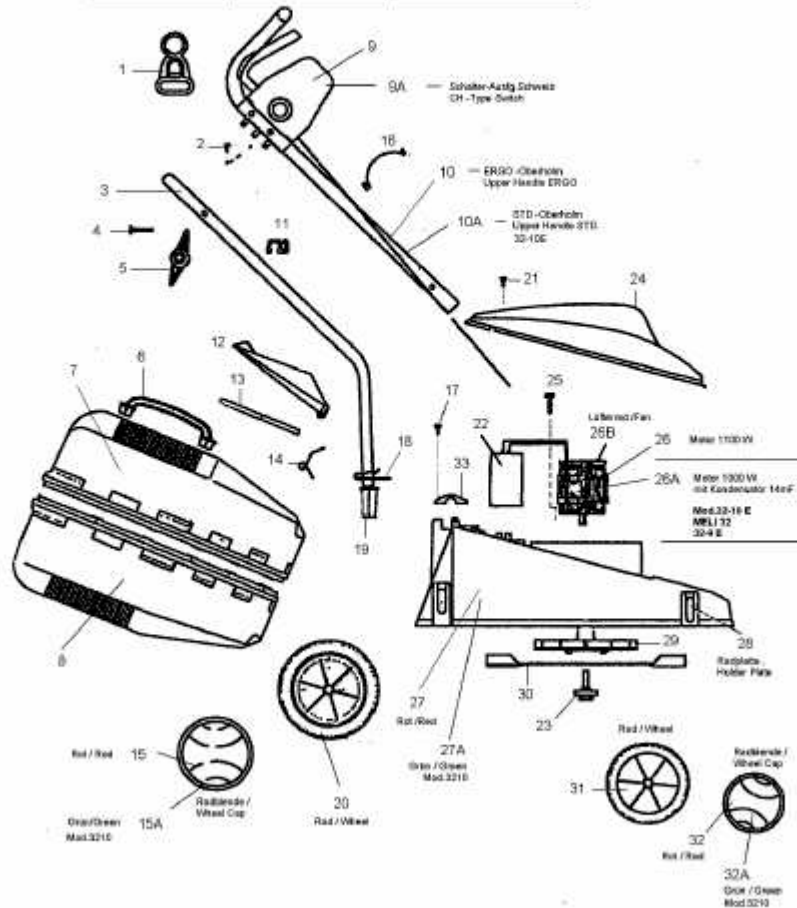


FF 327-1 > 18B-E0E-634 (2009) > GRUNDGERÄT

| | | |
|---|--|----------|
| 34-11 E FF 327 FF 327-1 FF 327-1 | 18B-E0E-800 18B-E1E-865 18BKEDE-634 18B-E0E-634 | 1100Watt |
| 32-10 E MEL / 32 32-9 E | 18B-EDD2600 18B-EDD2616 18BKEOC2600 | 1000Watt |



E3-03376C-01