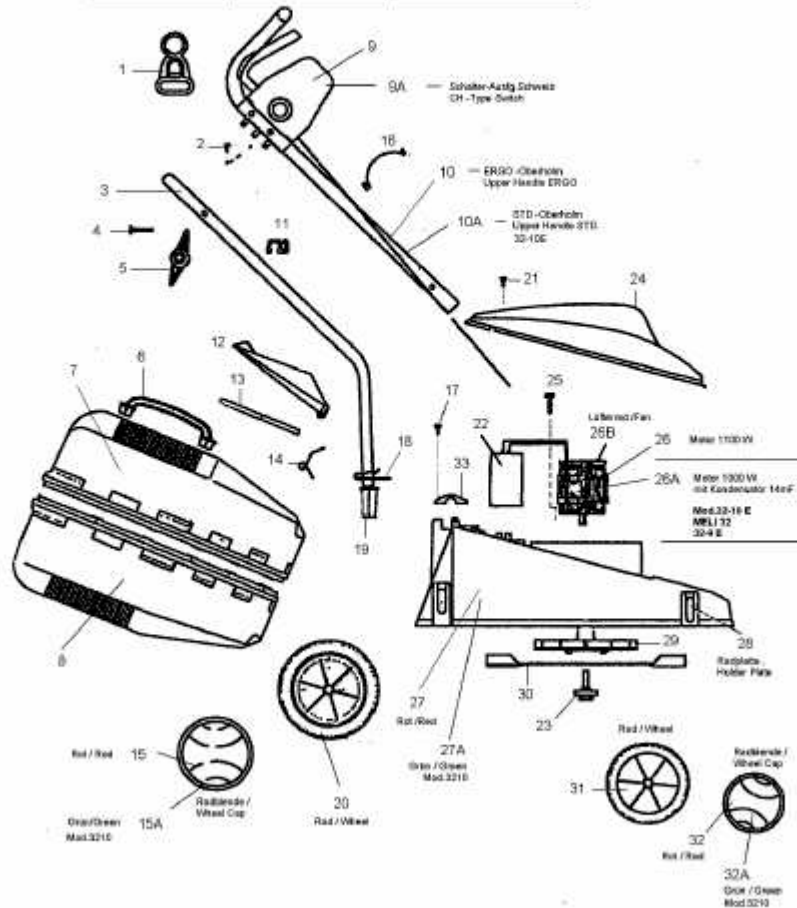


34-11 E > 18B-E0E-600 (2009) > GRUNDGERÄT

34-11 E FF 327 FF 327-1 FF 327-1	18B-E0E-600 18B-E1E-665 18BKEDE-634 18B-E0E-634	1100Watt
32-10 E MEL / 32 32-9 E	18B-EDD2600 18B-EDD2616 18BKEOC2600	1000Watt



E3-03376C-01