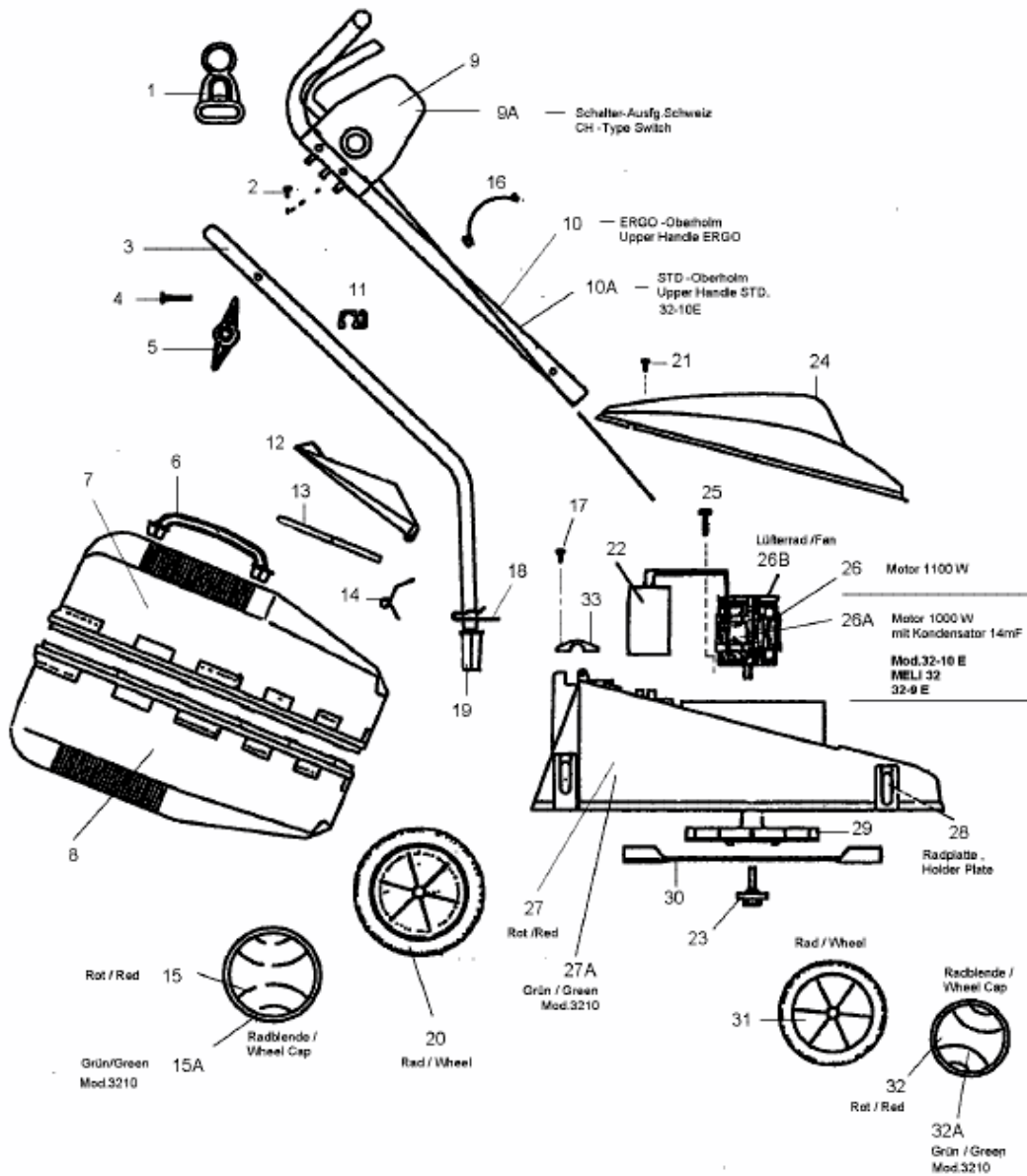


MELI 32 > 18B-E0D2616 (2009) > GRUNDGERÄT

|   |  |          |
|---|--|----------|
| 34-11 E<br>FF 327<br>FF 327-1<br>FF 327-1 | 18B-E0E-600<br>18B-E1E-665<br>18BK00E-634<br>18B-E0E-634 | 1100Watt |
| 32-10 E<br>MELI 32<br>32-9 E              | 18B-E0D2600<br>18B-E0D2616<br>18BK00C2600                | 1000Watt |



E3-03376C-01