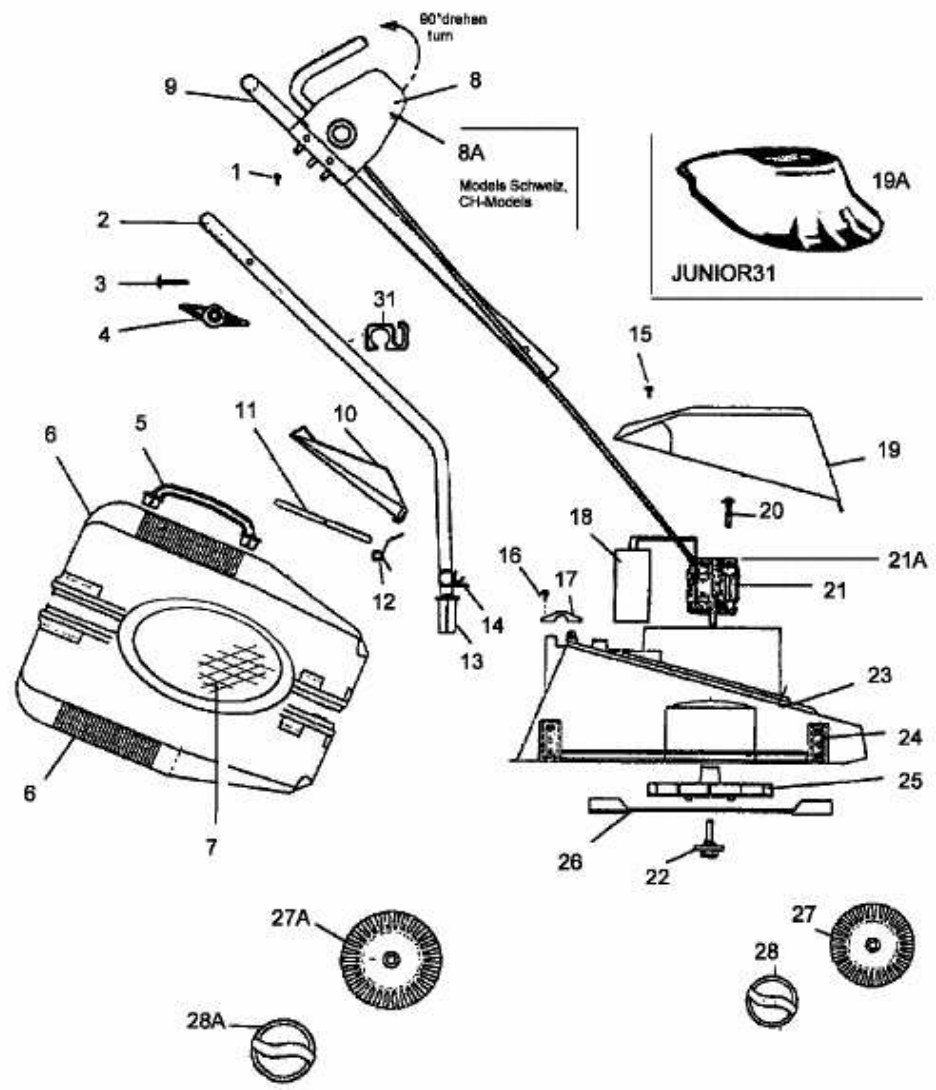


JUNIOR 31 > 18B-D0C-600 (2004) > GRUNDGERÄT

<b>JUNIOR 31</b>	18B-D0C-600
<b>FF 317</b>	18A-D0C-665
<b>SWING 33</b>	18A-D0C-664



E3-01723B