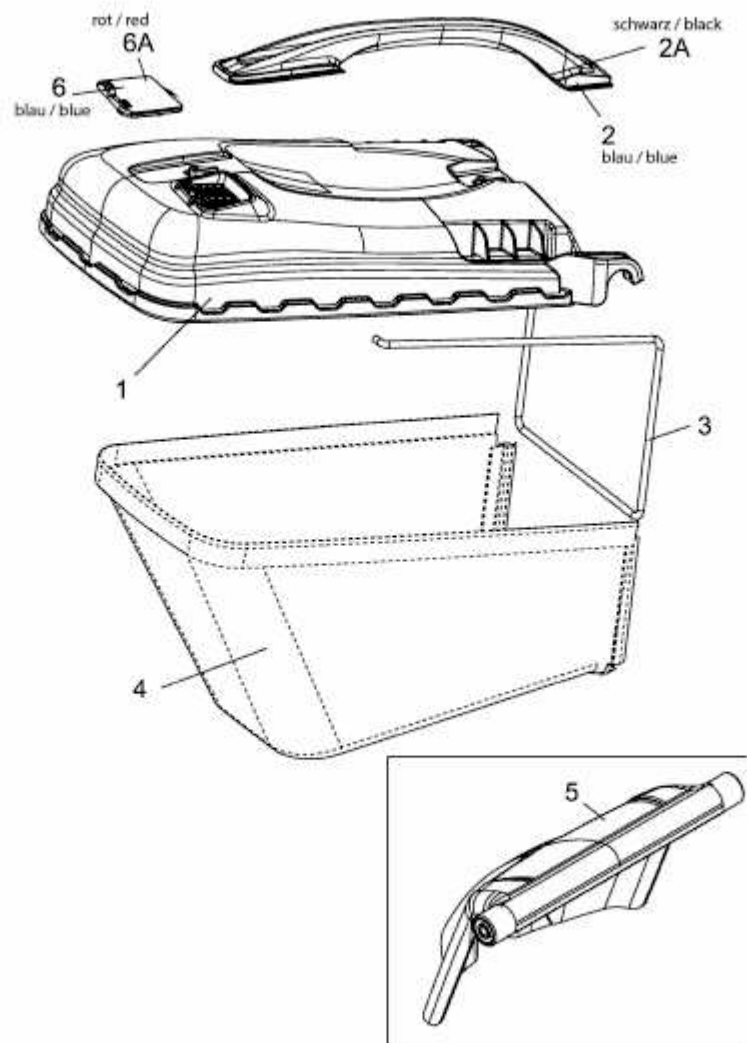


E 1800-48 HMA > 18AR11K-694 (2011) > GRASFANGSACK, HECKKLAPPE



E3-05364A-01