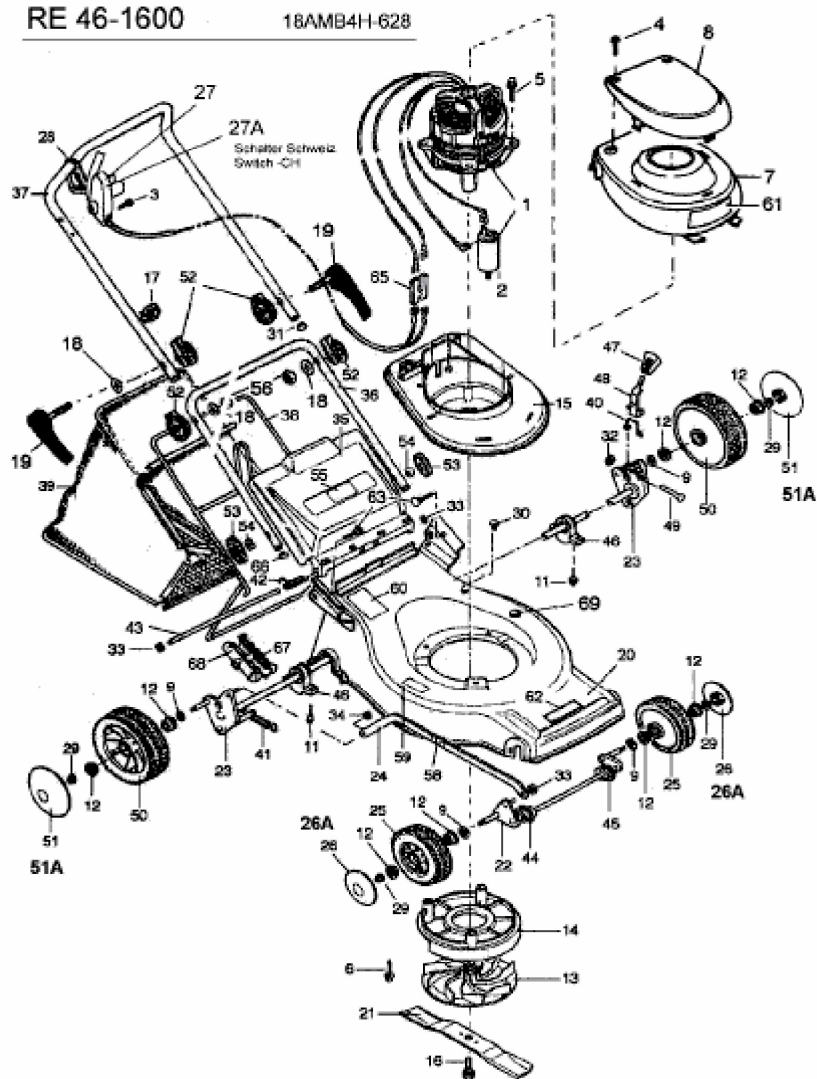


|               |             |
|---------------|-------------|
| YM 1619 E     | 18AMB4H-643 |
| YM 1619 E -CH | 18AMB4H-C43 |
| RE 46-1600    | 18AMB4H-628 |



E3-02581A