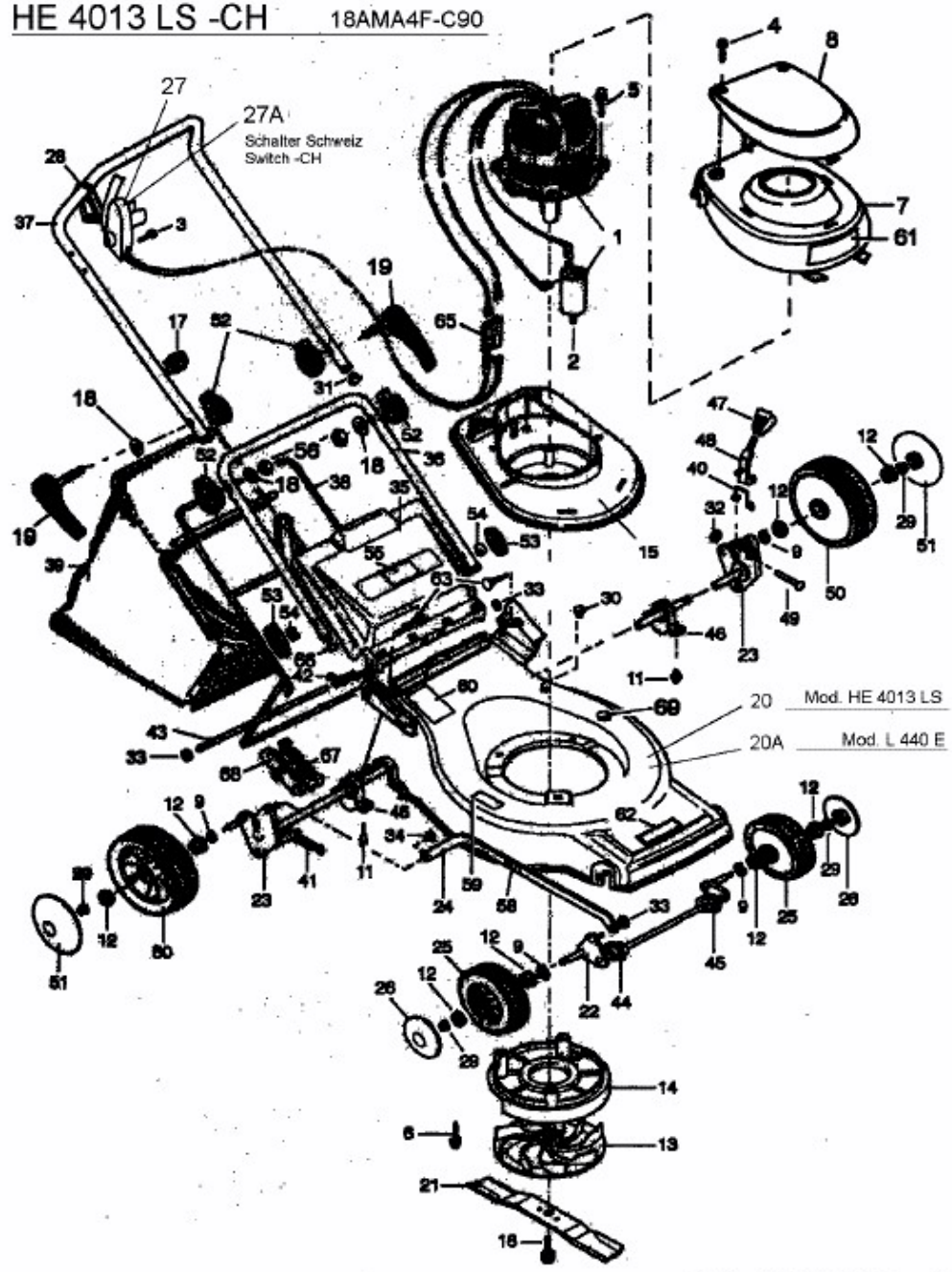


HE 40 LS > 18AMA4F-690 (2009) > GRUNDGERÄT

L 440 E	18AMA4F-618
HE 4013 LS	18AMA4F-690
HE 4013 LS -CH	18AMA4F-C90



E3-02580A-01