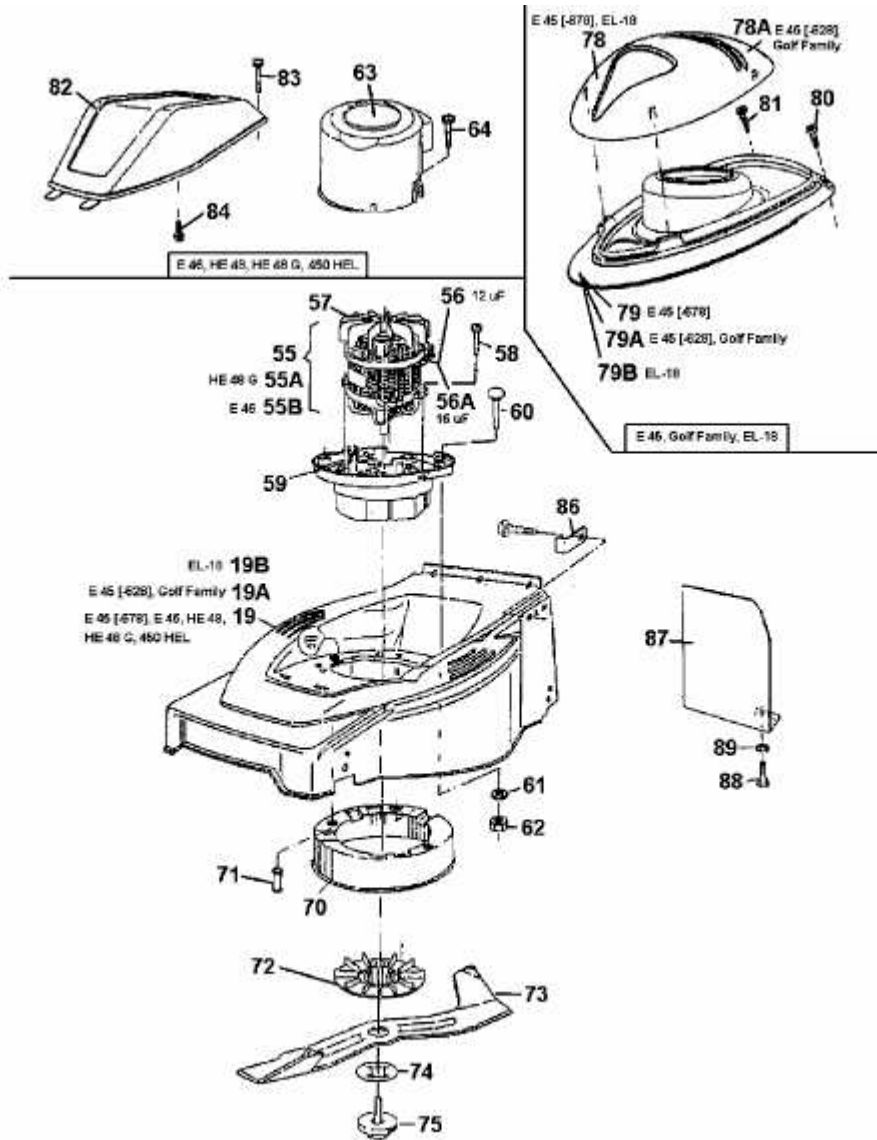


E 45 > 18A-TOF-678 (1998) > ELEKTROMOTOR, MESSER



fsq