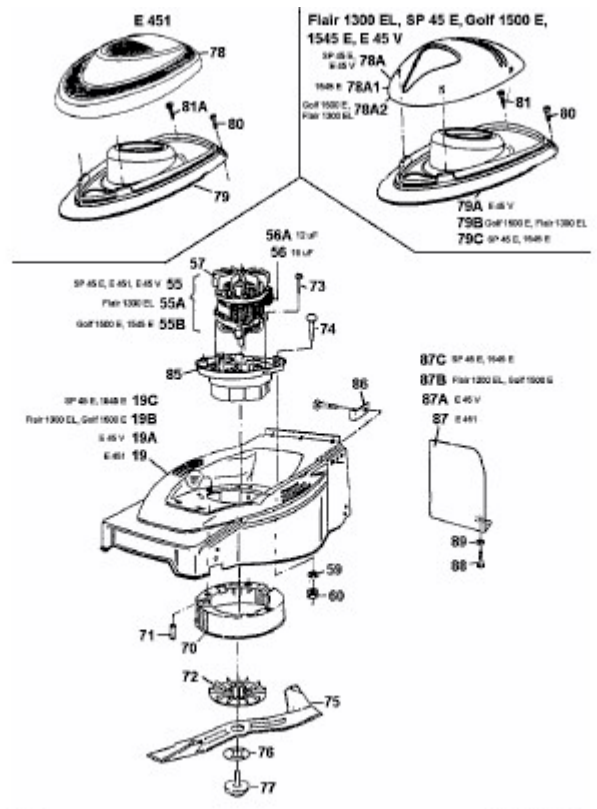


1545 E > 18A-T1G-668 (1998) > ELEKTROMOTOR, MESSER



fig

E3-01203A-01