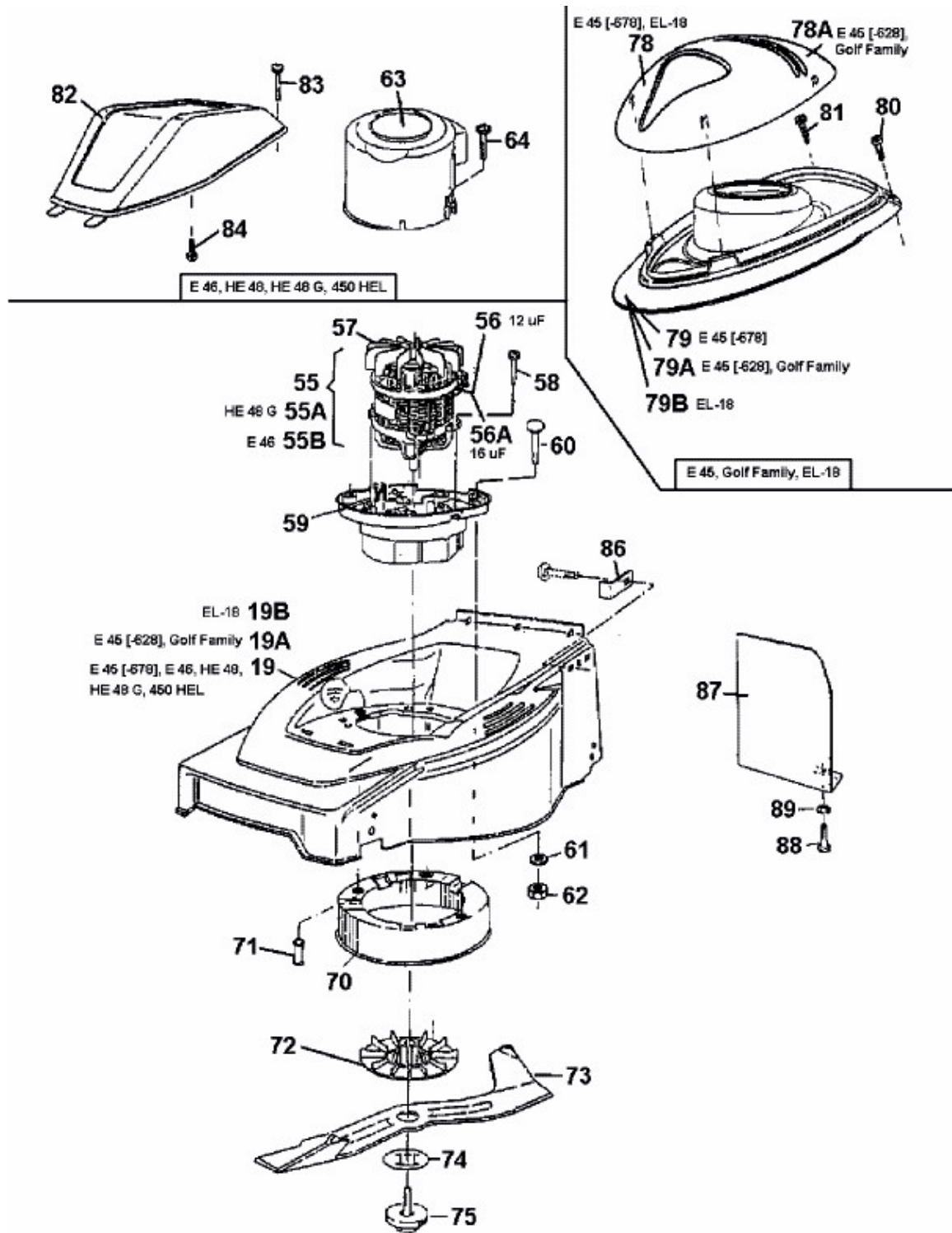


HE 48 G > 18A-T1G-604 (1998) > ELEKTROMOTOR, MESSER



fsg