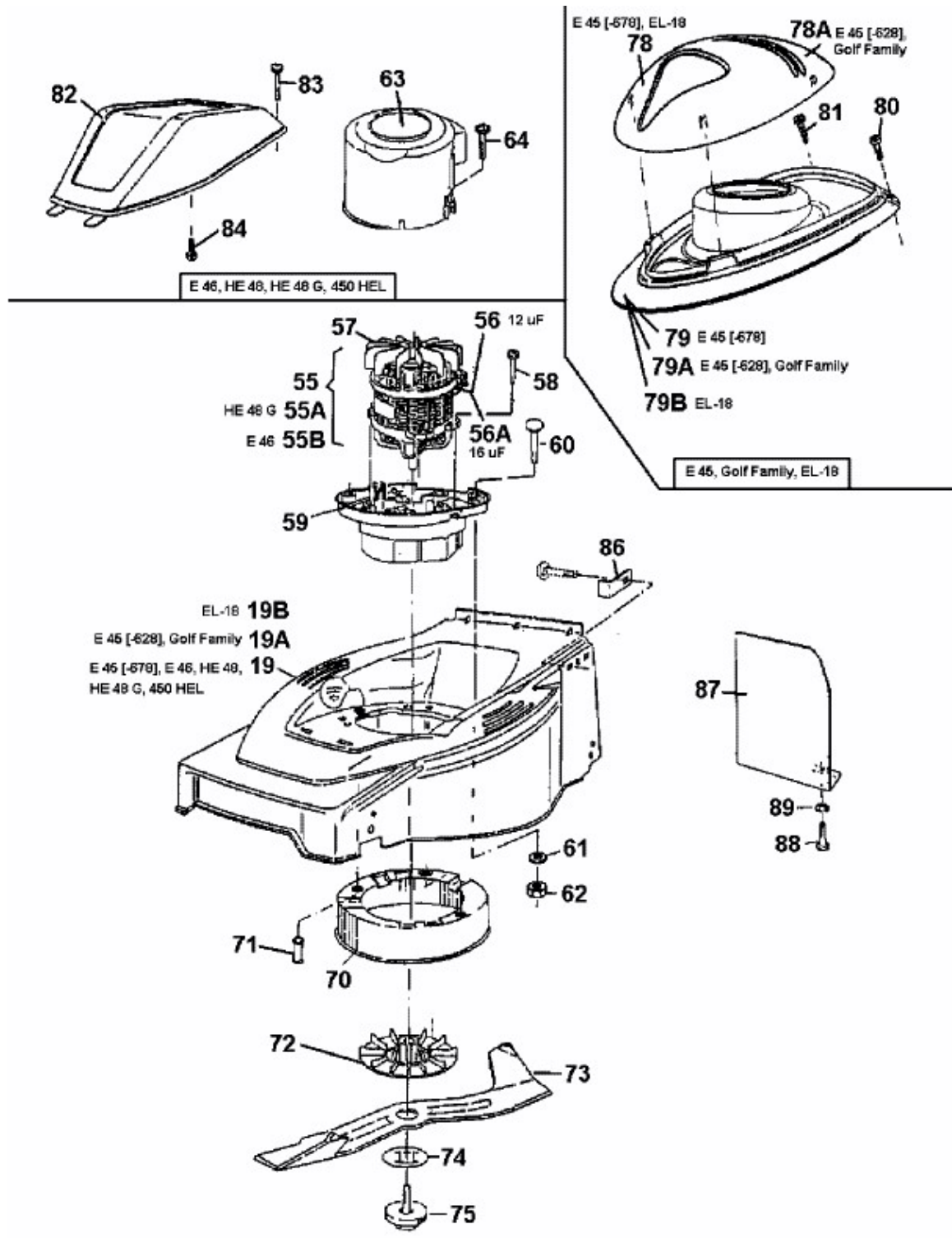


HE 48 > 18A-T1F-604 (1998) > ELEKTROMOTOR, MESSER



fsg