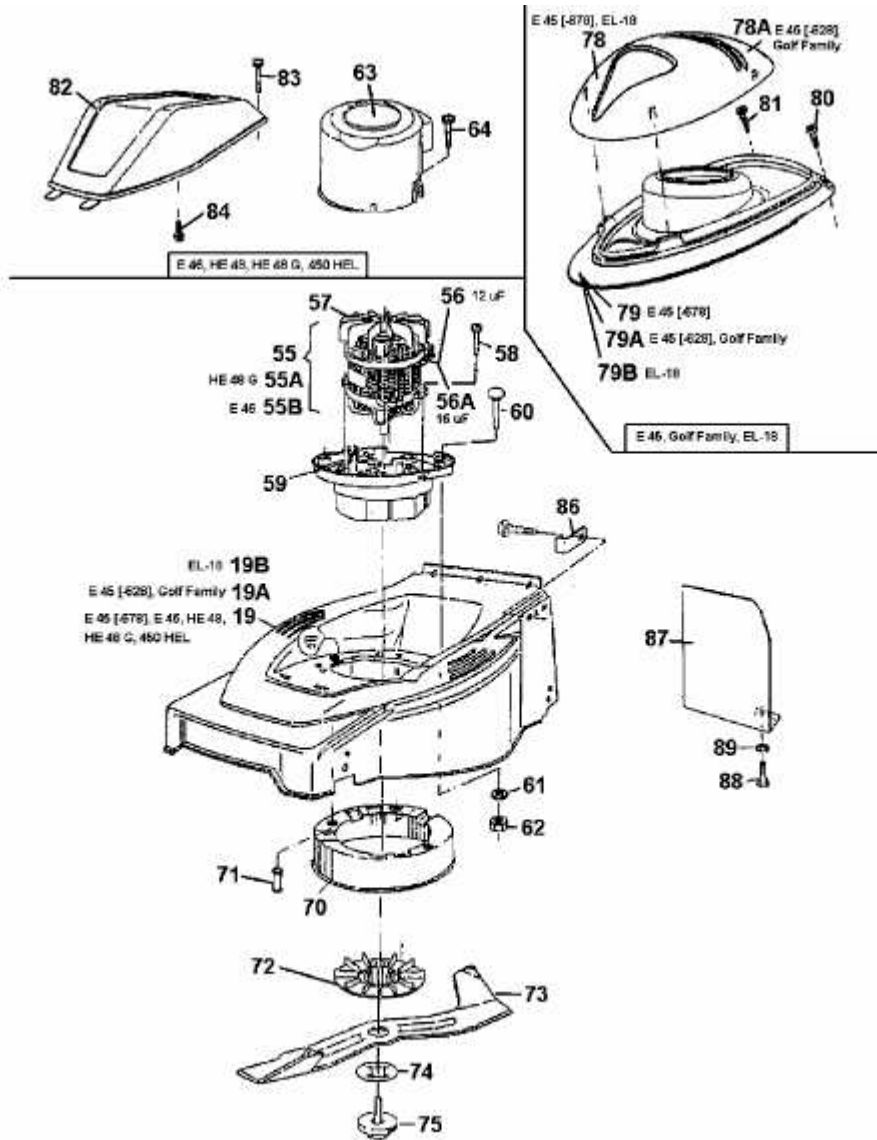


E 45 > 18A-T0F-678 (1998) > ELEKTROMOTOR, MESSER



fsg