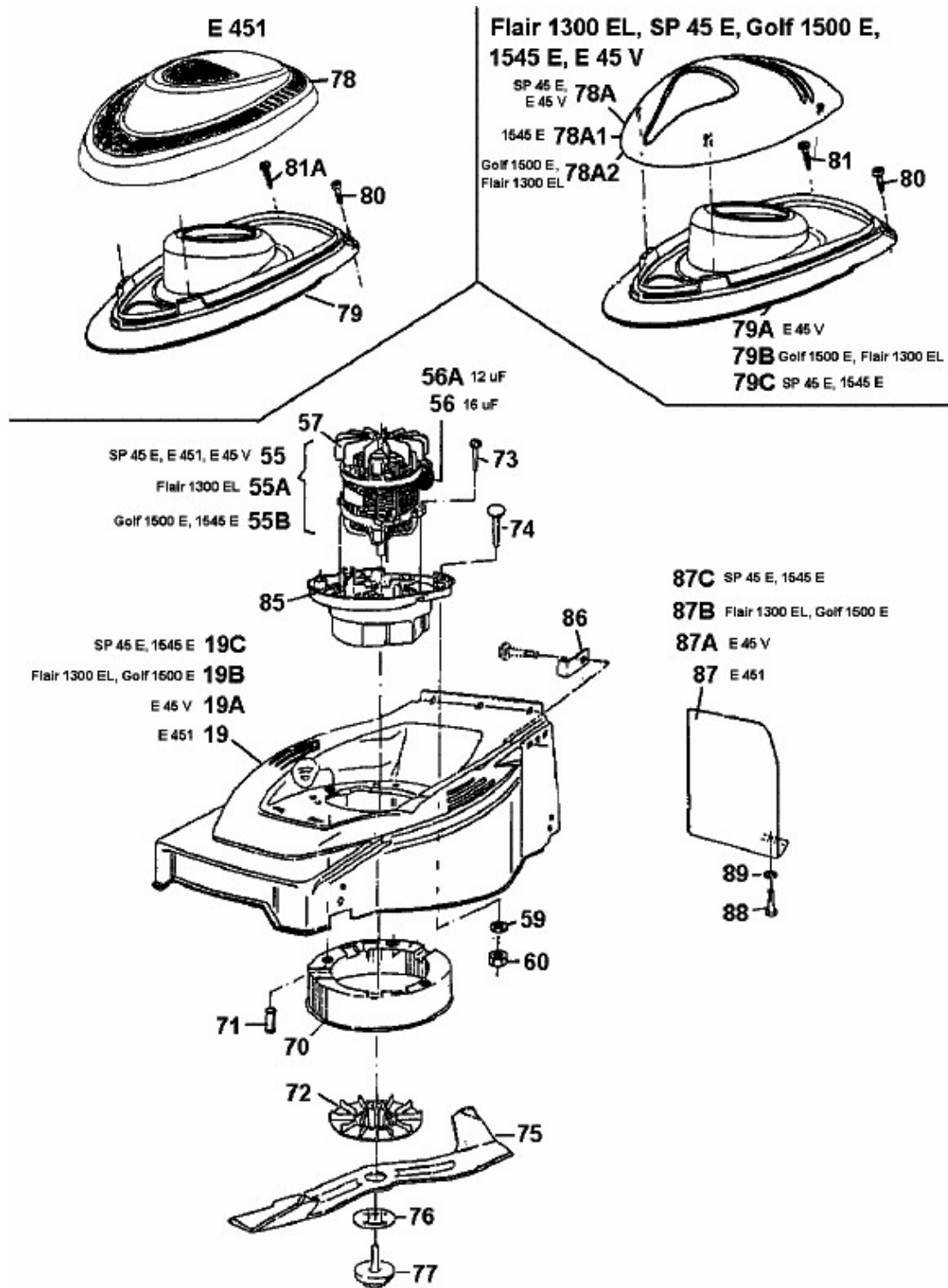


FLAIR 1300 EL > 18A-T0F-648 (1998) > ELEKTROMOTOR, MESSER



fsg

E3-01203A-01