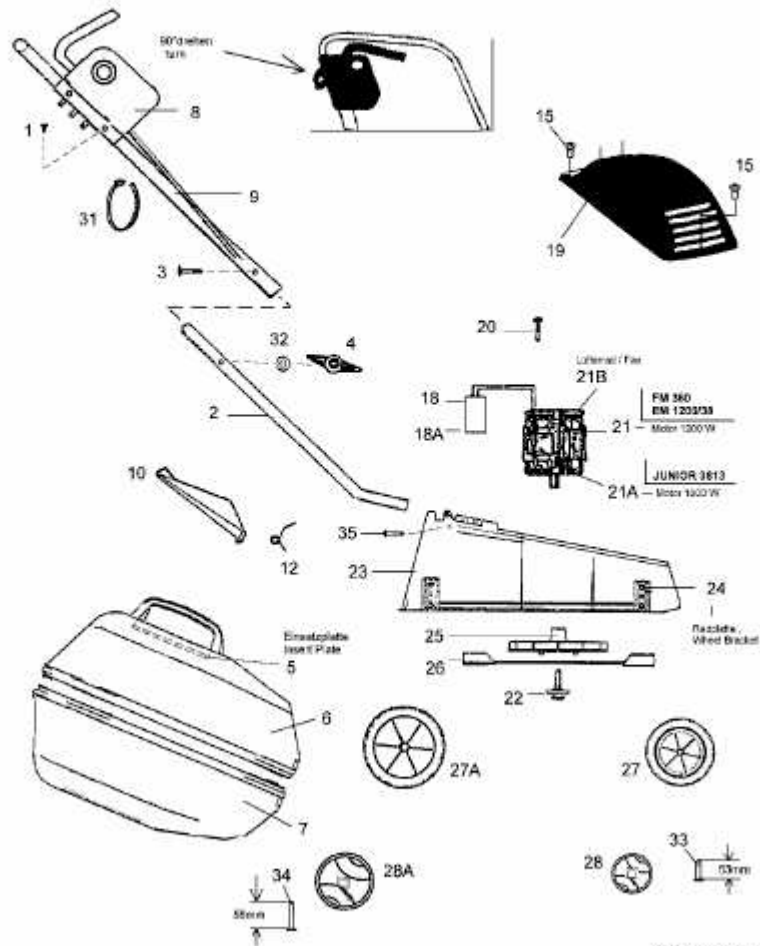


EM 1200/38 > 18A-S0J-620 (2006) > GRUNDGERÄT

- |                    |   |             |
|--------------------|---|-------------|
| <b>EM 1200/38</b>  | — | 18A-S0J-620 |
| <b>FM 380</b>      | — | 18A-S0J-665 |
| <b>JUNIOR 3813</b> | — | 18A-S0F-600 |



E3-02609A