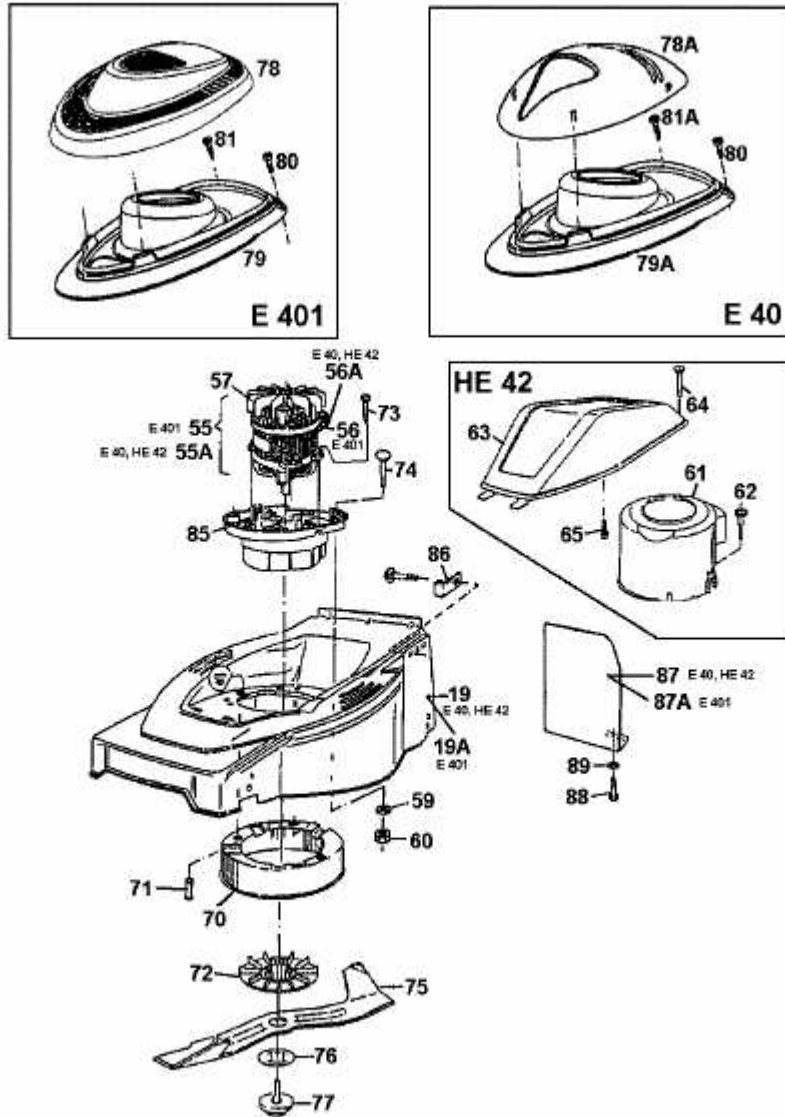


E 40 > 18A-LOF-678 (1998) > ELEKTROMOTOR, MESSER



fsg