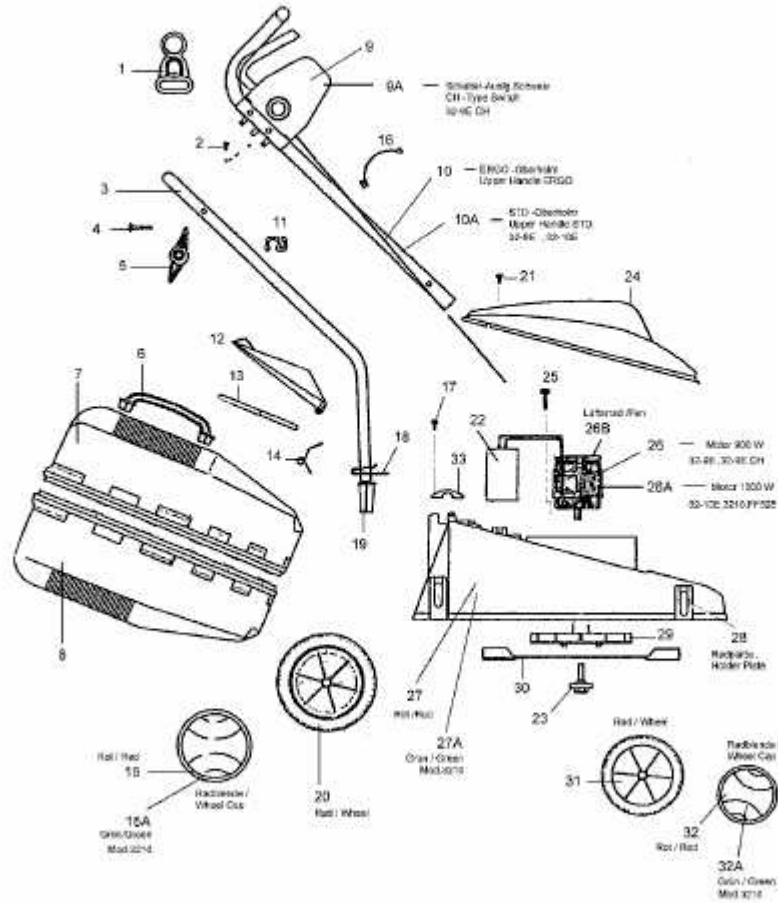


32-9 E > 18A-E0C-602 (2005) > GRUNDGERÄT

| | | | |
|----------|-------------|--------|-------------|
| 32-9E | 18A-E0C-600 | 32-10E | 18A-E0D-600 |
| 32-9E | 18A-E0C-602 | FF-328 | 18A-E0D-685 |
| 32-9E CH | 18A-E0C-664 | 3210 | 18B-E0D-689 |



E3-01595D