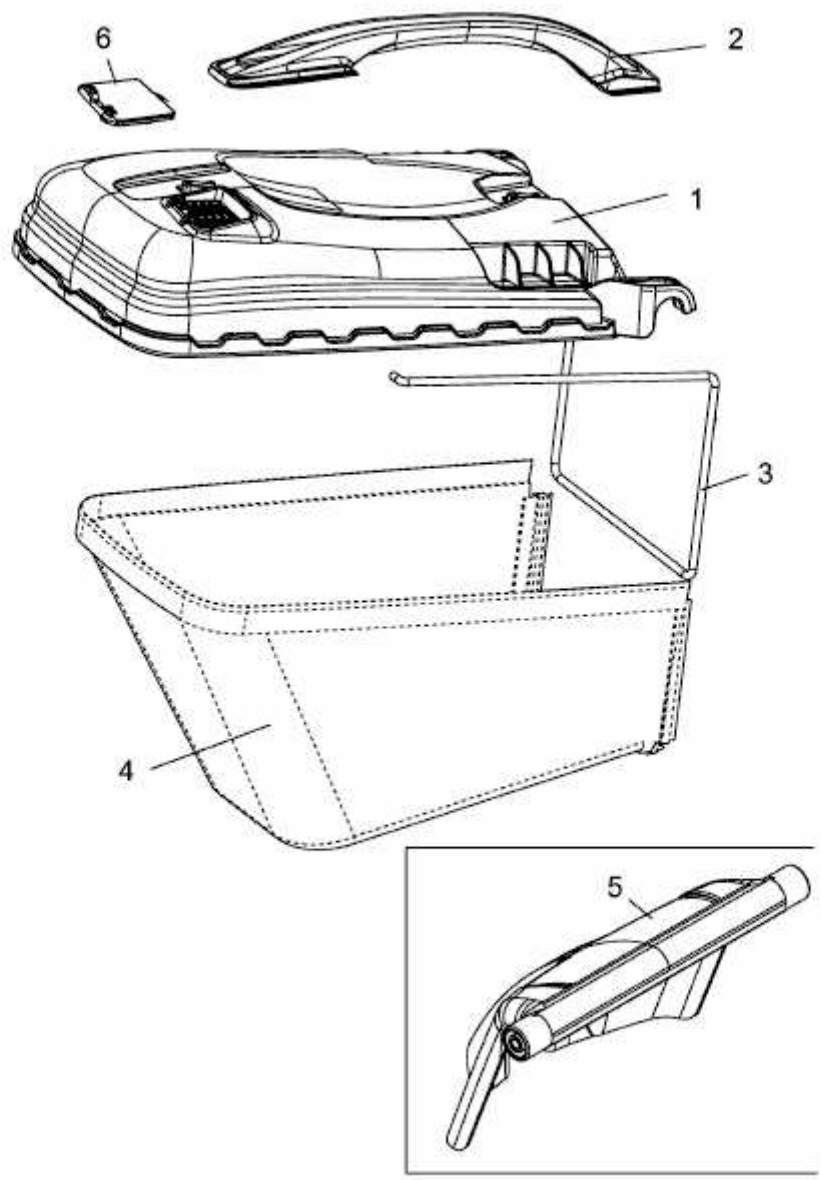


YM 1719 E > 18A-18K-643 (2010) > GRASFANGSACK, HECKKLAPPE



E3-05362A-01